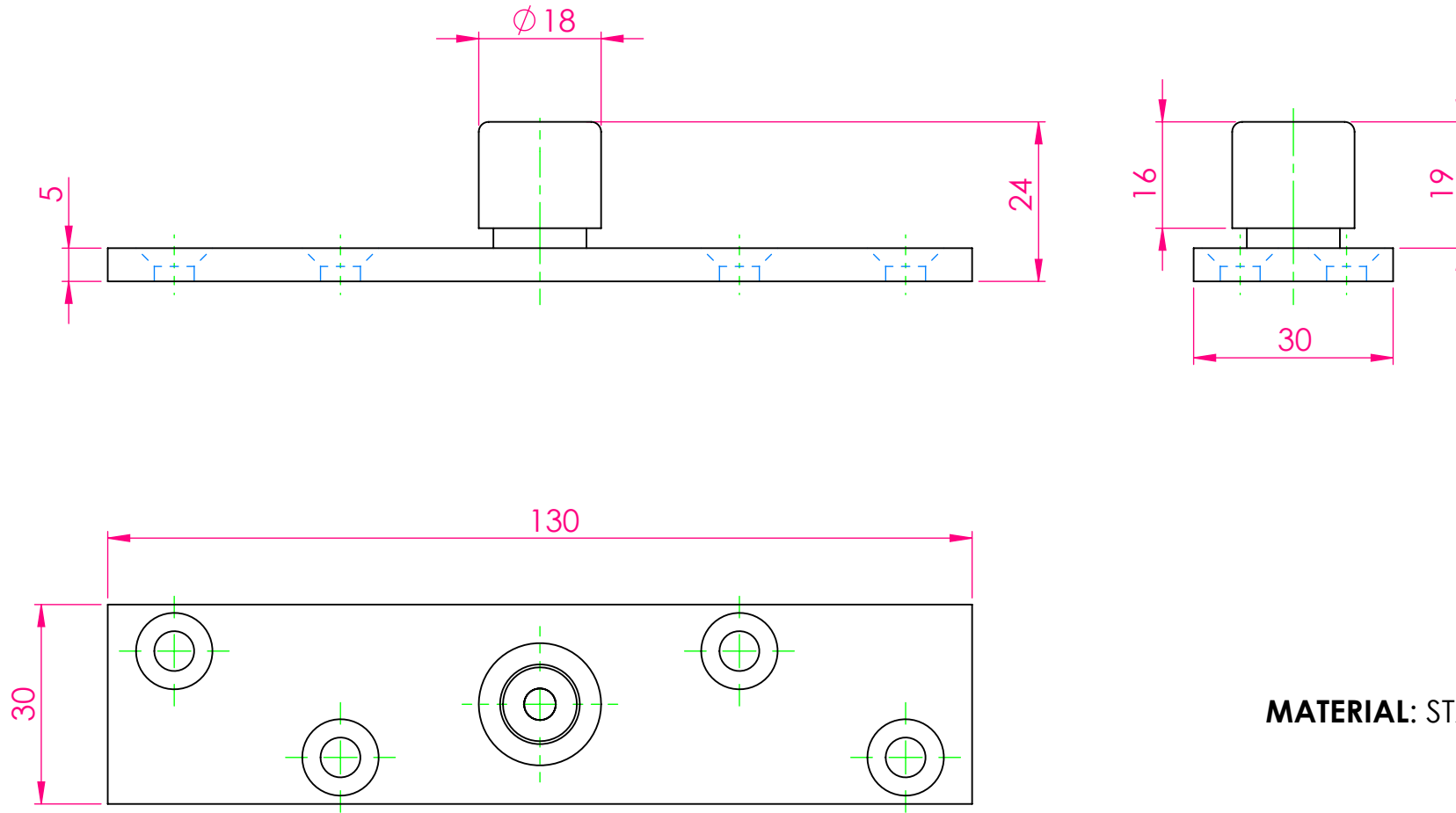


# 44-446 CENTRE GUIDE STAINLESS STEEL



**MATERIAL:** STAINLESS STEEL