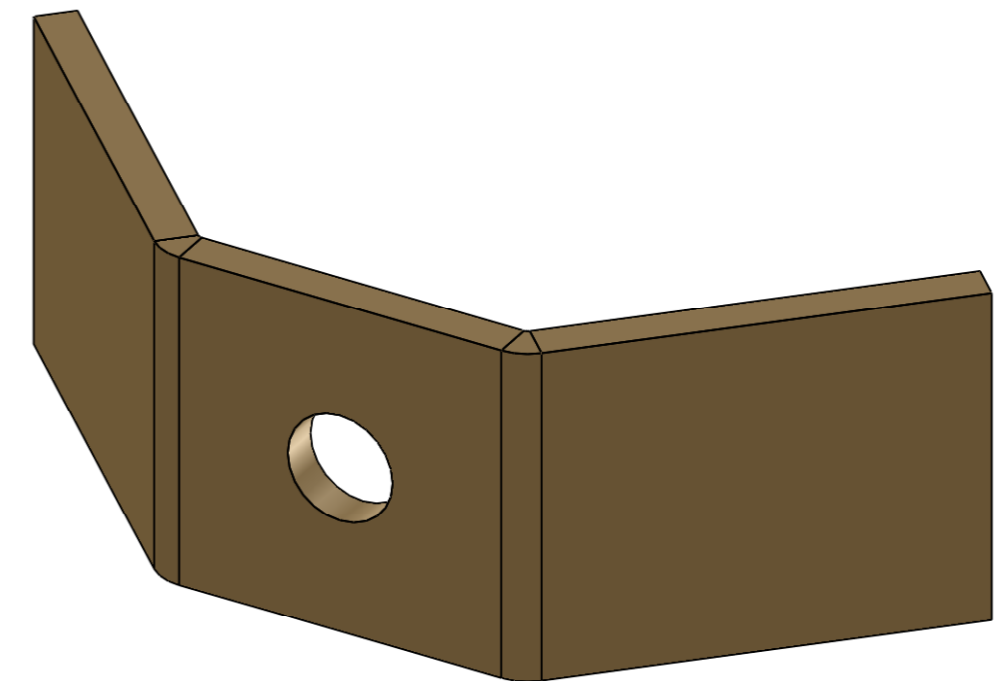
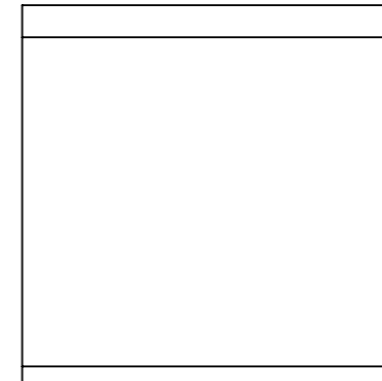


REVISIONS			
REV.	DESCRIPTION	DATE	APPROVED
01	M3308	08/02/14	M.U.S



MATERIAL 3mm MILD STEEL	UNLESS OTHERWISE SPECIFIED: DIMENSIONS ARE IN MM	DRAWN	M. U. S	DATE	02/01/67	CAD FILE: 4 /44010.01 /431
	TOLERANCES: FRACTIONAL ± ANGULAR: MACH ±0.5 BEND ±	CHK	M. U. S	DATE	27/01/10	
	FINISH ZINC PLATED Zn3 TO BS 1706:1960 yellow passivate (CLASS B)	ZERO PLACE DECIMAL ± 0.2 ONE PLACE DECIMAL ±0.1 TWO PLACE DECIMAL ±0.05	COMMENTS: REMOVE ALL SHARP EDGES		SIZE	DWG. NO.
APPLICATION	DO NOT SCALE DRAWING			A3	44010.01	02
				SCALE: NTS	WEIGHT:	SHEET 1 OF 1