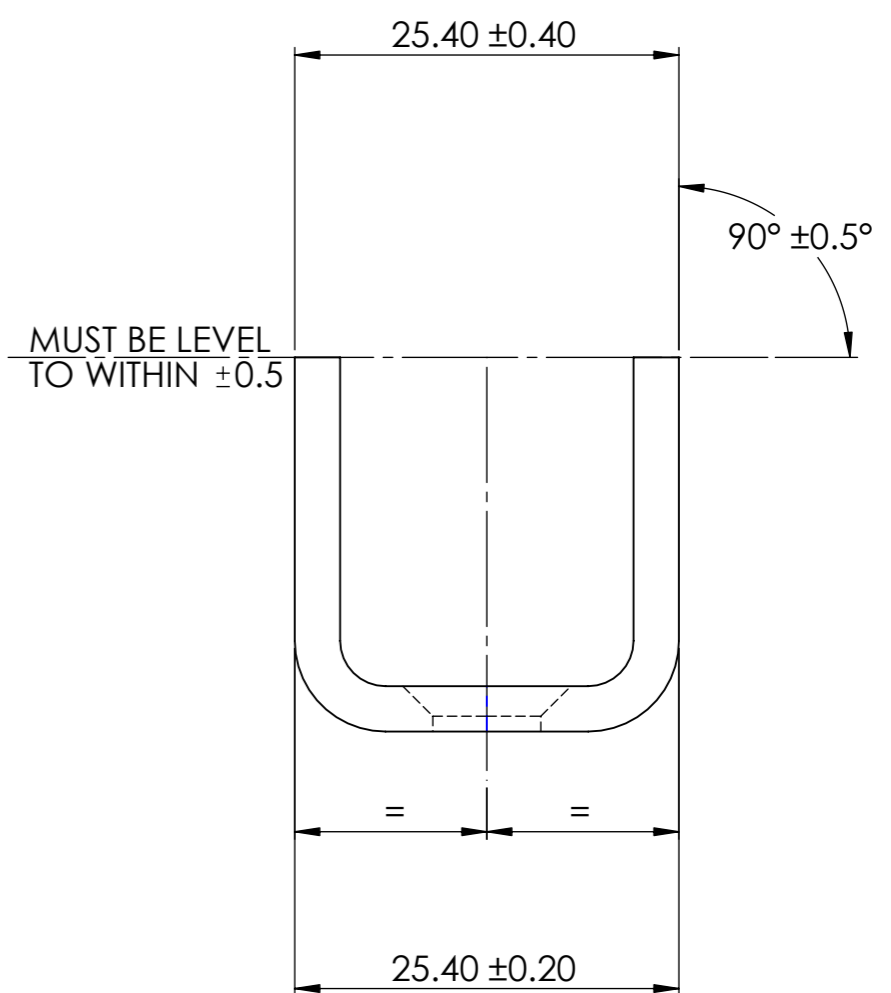


REVISIONS			
REV.	DESCRIPTION	DATE	APPROVED
01	ORIGINAL	21/02/75	JHC
02	M2644	27/03/86	
03		05/08/88	
04	M3191	22/04/92	
05	M3298	06/06/97	



- NOTE:**
- CURVE MUST BE FORMED FROM OVERSIZE LENGTH OF CHANNEL (DEVELOPED LENGTH 943mm) AND THEN TRIMMD TO THE CORRECT ANGLE (90°).
 - CURVE FLATNESS INCLUDING TWIST TO BE WITHIN ±0.6mm.
 - MAX. RIPPLE ON SIDES 0.3

COBURN
SLIDING SYSTEMS

HILLALDAM COBURN LTD
UNIT 16, MERTON INDUSTRIAL PARK
LEE ROAD, LONDON
SW19 3HX,
UK

COPYRIGHT HILLALDAM COBURN LTD

THE INFORMATION CONTAINED IN THIS DRAWING IS THE SOLE PROPERTY OF <HILLALDAM COBURN LTD>. ANY REPRODUCTION IN PART OR AS A WHOLE WITHOUT THE WRITTEN PERMISSION OF <HILLALDAM COBURN LTD> IS PROHIBITED.

MATERIAL	UNLESS OTHERWISE SPECIFIED: DIMENSIONS ARE IN MM
4/3756.95/408	TOLERANCES: FRACTIONAL ± ANGULAR: MACH ±0.5° BEND ± ZERO PLACE DECIMAL ±0.2 ONE PLACE DECIMAL ±0.2 TWO PLACE DECIMAL ±0.05
FINISH	INTERPRET GEOMETRIC TOLERANCING PER:
SELF COLOUR	DO NOT SCALE DRAWING
APPLICATION	

	NAME	DATE
DRAWN	R. J. C	21/02/75
CHK	B. S. A	03/02/10
Q.A.		
COMMENTS: REMOVE ALL SHARP EDGES		

CAD FILE: C/ 44-1-69 /408	
TITLE: 44-1 CHANNEL CURVES	
SIZE A3	DWG. NO. 44-1-69
SCALE: NTS	WEIGHT:
REV 05	SHEET 1 OF 1