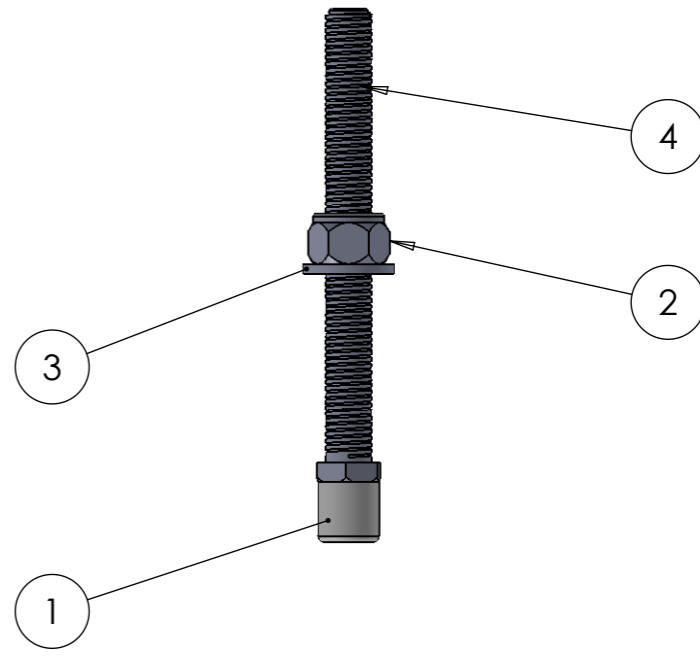


| Revisions | | | |
|-----------|-----------------|----------|----------|
| Rev | Modification No | Date | Approved |
| 01 | M-3828 | 21/05/13 | MUS |



| ITEM NO. | PART NUMBER | DESCRIPTION | QTY. |
|----------|-------------|----------------------------|------|
| 1 | 03906.45 | NYLON ROLLER FOR 44320 | 2 |
| 2 | 03026.112 | M12 STATITE LOCK NUT | 2 |
| 3 | 03028.121 | BRIGHT WASHER M12 (FORM B) | 2 |
| 4 | 00916.102 | SPINDLE FOR 44316 GUIDE | 2 |
| 5 | 03028.04 | WASHER 3/16 X 7/16 | 2 |
| 6 | 06326.07 | POLY BAG | 1 |



HILLALDAM COBURN LTD
 UNIT 16, MERTON INDUSTRIAL PARK
 LEE ROAD, LONDON
 SW19 3HX,
 UK
 TEL:+44 (02)0 8545 6680 FAX:+44 (02)0 8545 6723
 E-Mail:sales@hillaldam.co.uk
 Web:www.coburn.co.uk

| | | | | |
|--|---|--|--------------------|--|
| MATERIAL Steel / Nylon | UNLESS OTHERWISE SPECIFIED: DIMENSION(mm) TOLERANCE ZERO PL DECIMAL ±0.8 ONE PL DECIMAL ±0.5 TWO PL DECIMAL ±0.08 | DRAWN MUS | DATE 21/05/2013 | FILE DRG. No. 1/44320/ |
| FINISH Zinc Plate | | CHECKED MUS | DATE 21/05/2013 | TITLE: Guide for Metal door with extended spindle Straightaway 250 |
| COPYRIGHT HILLALDAM COBURN LTD © THE INFORMATION CONTAINED IN THIS DRAWING IS THE SOLE PROPERTY OF <HILLALDAM COBURN LTD>. ANY REPRODUCTION IN PART OR AS A WHOLE WITHOUT THE WRITTEN PERMISSION OF <HILLALDAM COBURN LTD> IS PROHIBITED. | ANGULAR TOLERANCE ±0.5° FORGING TOLERANCE SEE BS 4114 | DIMENSIONS ARE IN mm DO NOT SCALE DRAWING | | SIZE A4 |
| COMMENTS: REMOVE ALL SHARP EDGES AND BURRS | | DRG/PART. No. 44320 | | REV 01 |
| | | SCALE: NTS | WEIGHT: | SHEET: 1/1 |