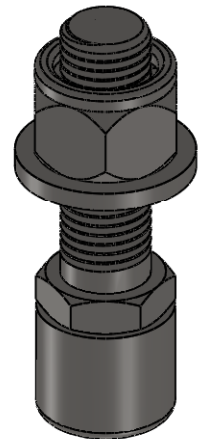
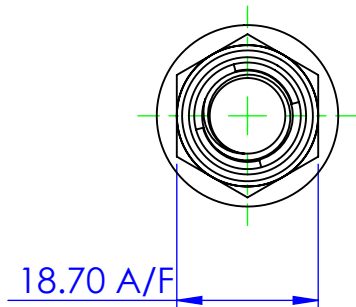
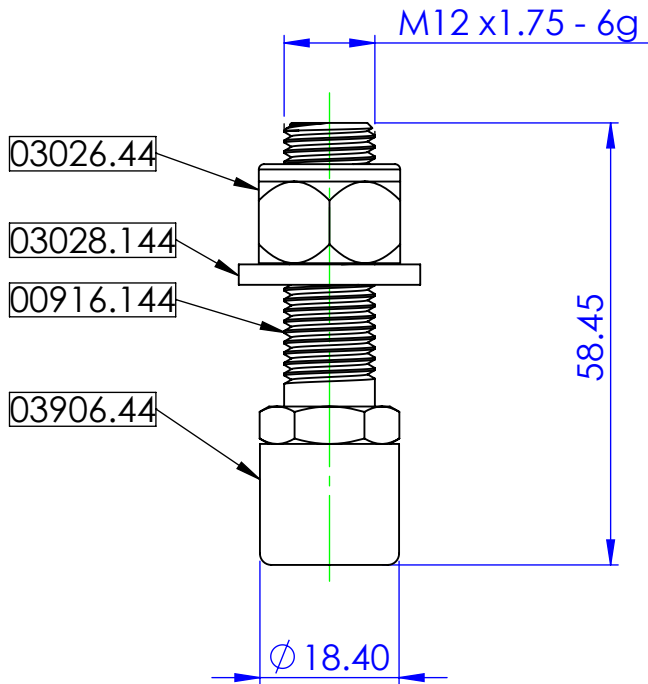


REVISIONS

REV.	DESCRIPTION	DATE	APPROVED
01	ORIGINAL	00/00/00	
02		13/01/2012	B.S.A



HILLALDAM COBURN LTD  
 UNIT 16, MERTON INDUSTRIAL PARK  
 LEE ROAD, LONDON  
 SW19 3HX, ENGLAND  
 TEL: +44 (02)0 8545 6680  
 FAX: +44 (02)0 8545 6723  
 e-mail: sales@hillaldam.co.uk  
 www.coburn.co.uk

COPYRIGHT HILLALDAM COBURN LTD ©

THE INFORMATION CONTAINED IN THIS DRAWING IS THE SOLE PROPERTY OF <HILLALDAM COBURN LTD>. ANY REPRODUCTION IN PART OR AS A WHOLE WITHOUT THE WRITTEN PERMISSION OF <HILLALDAM COBURN LTD> IS PROHIBITED.

TITLE:

**ROLLER GUIDE STAINLESS STEEL**

MATERIAL:

UNLESS OTHERWISE SPECIFIED:

COMMENTS:

DIMENSION(mm)	TOLERANCE
ZERO PL DECIMAL	±0.2
ONE PL DECIMAL	±0.1
TWO PL DECIMAL	±0.05

REMOVE ALL BURRS AND SHARP EDGES

FINISH:

ANGULAR TOLERANCE ±0.5°

DO NOT SCALE	FILE DRG. No.:
	4/ 00000/ 000

DRG/PART. No.

**44415**

ISSUE

**02**

FORGING TOLERANCE SEE BS 4114

DRAWN	DATE
BRYAN.S.A	13/01/2012
CHECKED	DATE
	13/01/2012

SCALE: 1:1 DIMENSION IN mm SIZE: A4 SHEET: 1/ 1