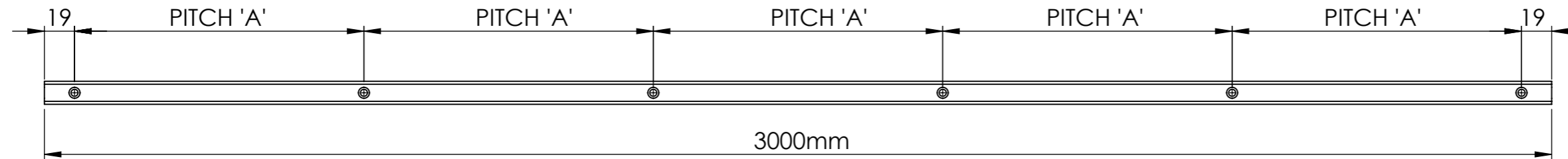
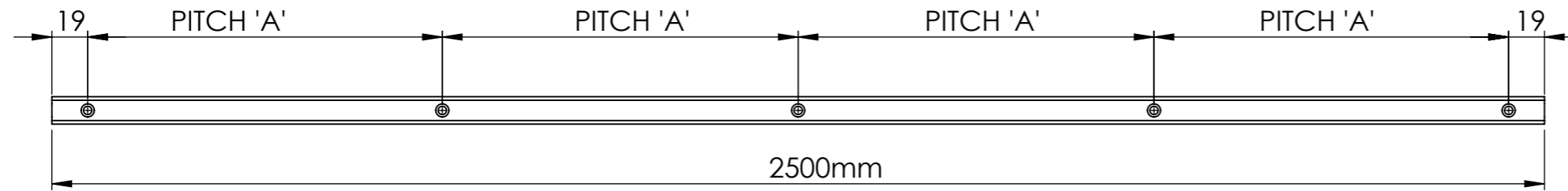
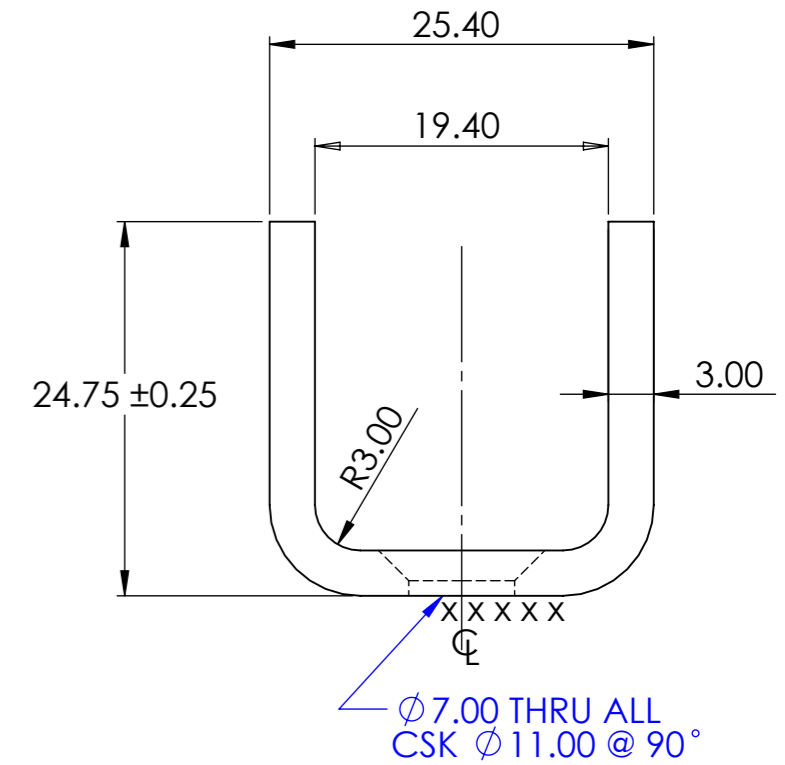
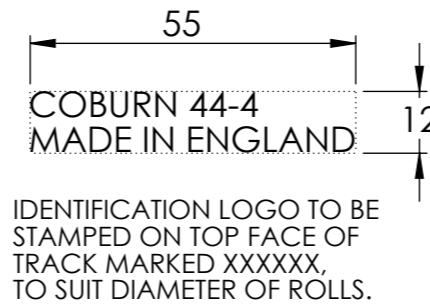
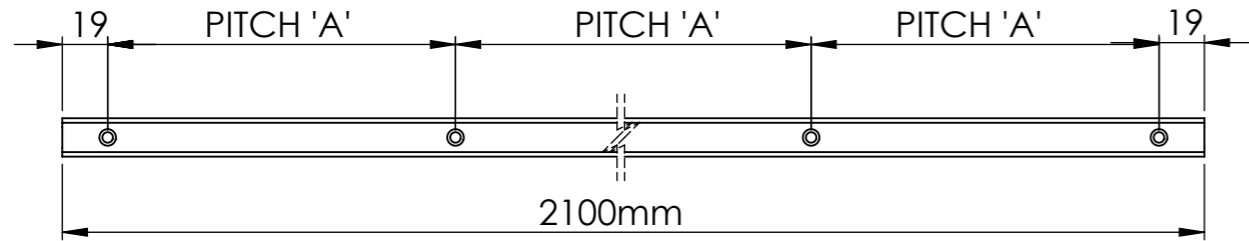


PART NUMBER	LENGTH	PITCH 'A' CENTRES	PITCH 'B' CENTRES
44421	2100MM	686MM	-
44425	2500MM	625MM	606MM
44430	3000MM	592MM	594MM

REVISIONS				
ZONE	REV.	DESCRIPTION	DATE	APPROVED
	02		19/12/2007	
	03	PITCH 'B' CENTRES FOR PART No. 44430 WAS 592MM, IS NOW 594MM	27/04/2009	
	04	NUMBER OF DRAWINGS INCREASED AND HOLE TABLE REVISED.	26/01/10	B.S.A
	05	PROFILE DIMENSIONS REVISED	04/03/10	B.S.A



COBURN
SLIDING SYSTEMS

HILLALDAM COBURN LTD
UNIT 6 WYVERN ESTATE, BEVERLEY WAY
NEW MALDEN, SURREY
KT3 4PH

COPYRIGHT HILLALDAM COBURN LTD

THE INFORMATION CONTAINED IN THIS DRAWING IS THE SOLE PROPERTY OF <HILLALDAM COBURN LTD>. ANY REPRODUCTION IN PART OR AS A WHOLE WITHOUT THE WRITTEN PERMISSION OF <HILLALDAM COBURN LTD> IS PROHIBITED.

MATERIAL	UNLESS OTHERWISE SPECIFIED: DIMENSIONS ARE IN MM
STAINLESS STEEL GRADE 304	TOLERANCES: FRACTIONAL ± ANGULAR: MACH ± 0.5 BEND ± ZERO PLACE DECIMAL ± 0.2 ONE PLACE DECIMAL ± 0.1 TWO PLACE DECIMAL ± 0.05
FINISH	INTERPRET GEOMETRIC TOLERANCING PER:
SELF COLOUR	DO NOT SCALE DRAWING
APPLICATION	

NAME	DATE
B. S. A	04/03/10
DRAWN	
CHK	
Q.A.	
COMMENTS:	
REMOVE ALL SHARP EDGES	

CAD FILE: B / 44421-31 / 408		
TITLE: 44-4 STAINLESS STEEL CHANNEL		
SIZE A3	DWG. NO. 44421-30	REV 05
SCALE: NTS	WEIGHT:	SHEET 1 OF 1