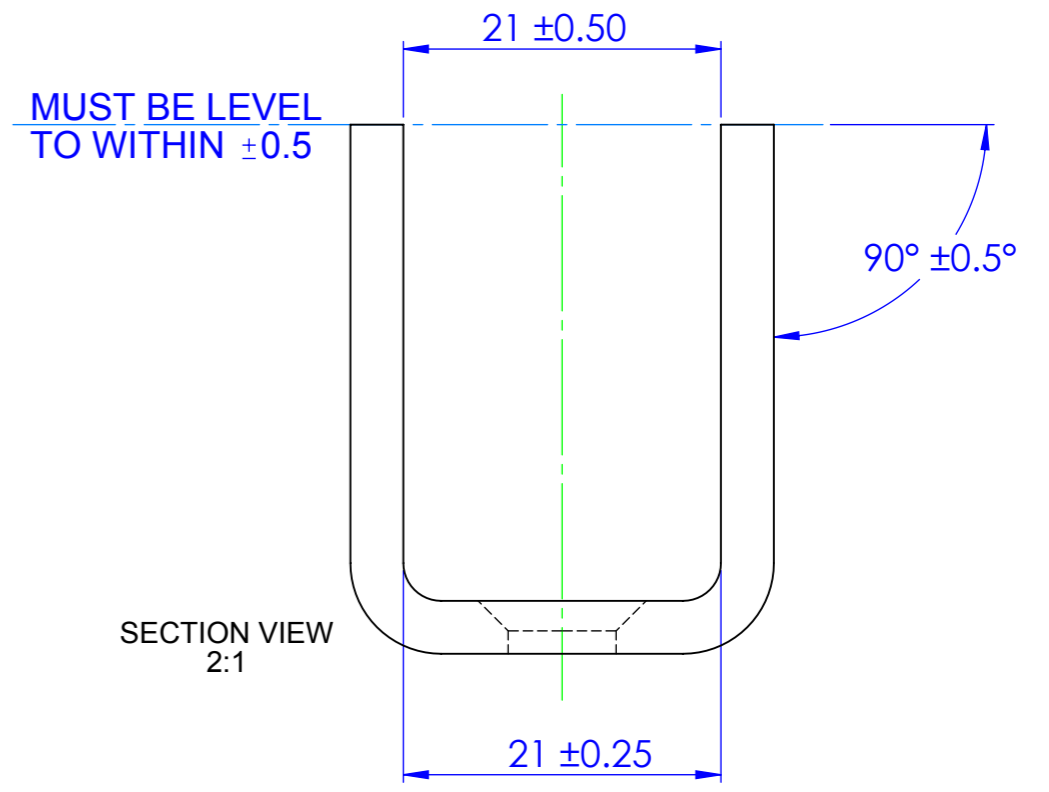


REVISIONS			
REV.	DESCRIPTION	DATE	APP'D
04	M2461	05/09/1984	
05		03/04/1986	
06	M3191	22/04/1992	
07	CURVED USING NEW DESIGN 45-1 CHANNEL, INCLUDING HOLES	17/10/2012	B.S.A



- NOTE:
- CURVE MUST BE FORMED FROM OVERSIZE LENGTH OF CHANNEL (DEVELOPED LENGTH - 943mm) AND THEN TRIMMED TO THE CORRECT ANGLE (90°).
  - CURVE FLATNESS INCLUDING TWIST TO BE WITHIN ±0.7mm
  - MAXIMUM RIPPLE ON SIDES 0.3mm.

**COBURN**  
SLIDING SYSTEMS

HILLALDAM COBURN LTD  
UNIT 16, MERTON INDUSTRIAL PARK  
LEE ROAD, LONDON  
SW19 3HX,  
UK  
TEL:+44 (02)0 8545 6680 FAX:+44 (02)0 8545 6723  
E-Mail:sales@hillaldam.co.uk  
Web:www.coburn.co.uk

© COPYRIGHT HILLALDAM COBURN LTD

THE INFORMATION CONTAINED IN THIS DRAWING IS THE SOLE PROPERTY OF <HILLALDAM COBURN LTD>. ANY REPRODUCTION IN PART OR AS A WHOLE WITHOUT THE WRITTEN PERMISSION OF <HILLALDAM COBURN LTD> IS PROHIBITED.

MATERIAL	45-1-18
FINISH	NATURAL (OILED)

UNLESS OTHERWISE SPECIFIED:

**DIMENSION TOLERANCE**

METRIC ±0.2mm  
IMPERIAL ±0.005"  
FRACTIONS ±1/64"

ANGULAR TOLERANCE ±0.5°

FORGING TOLERANCE SEE BS 4114

COMMENTS: REMOVE ALL SHARP EDGES AND BURRS

DRAWN	DATE
BRYAN.S.A	17/10/2012
CHECKED	DATE
	17/10/2012
DIMENSIONS ARE IN mm DO NOT SCALE DRAWING	

FILE DRG. No. 3/ 00000/ 000	
TITLE: <b>45-1 CHANNEL CURVES</b>	
SIZE <b>A3</b>	DRG/PART. No. <b>45-1-69</b>
SCALE: NTS	WEIGHT:
REV <b>07</b>	SHEET: 1/1