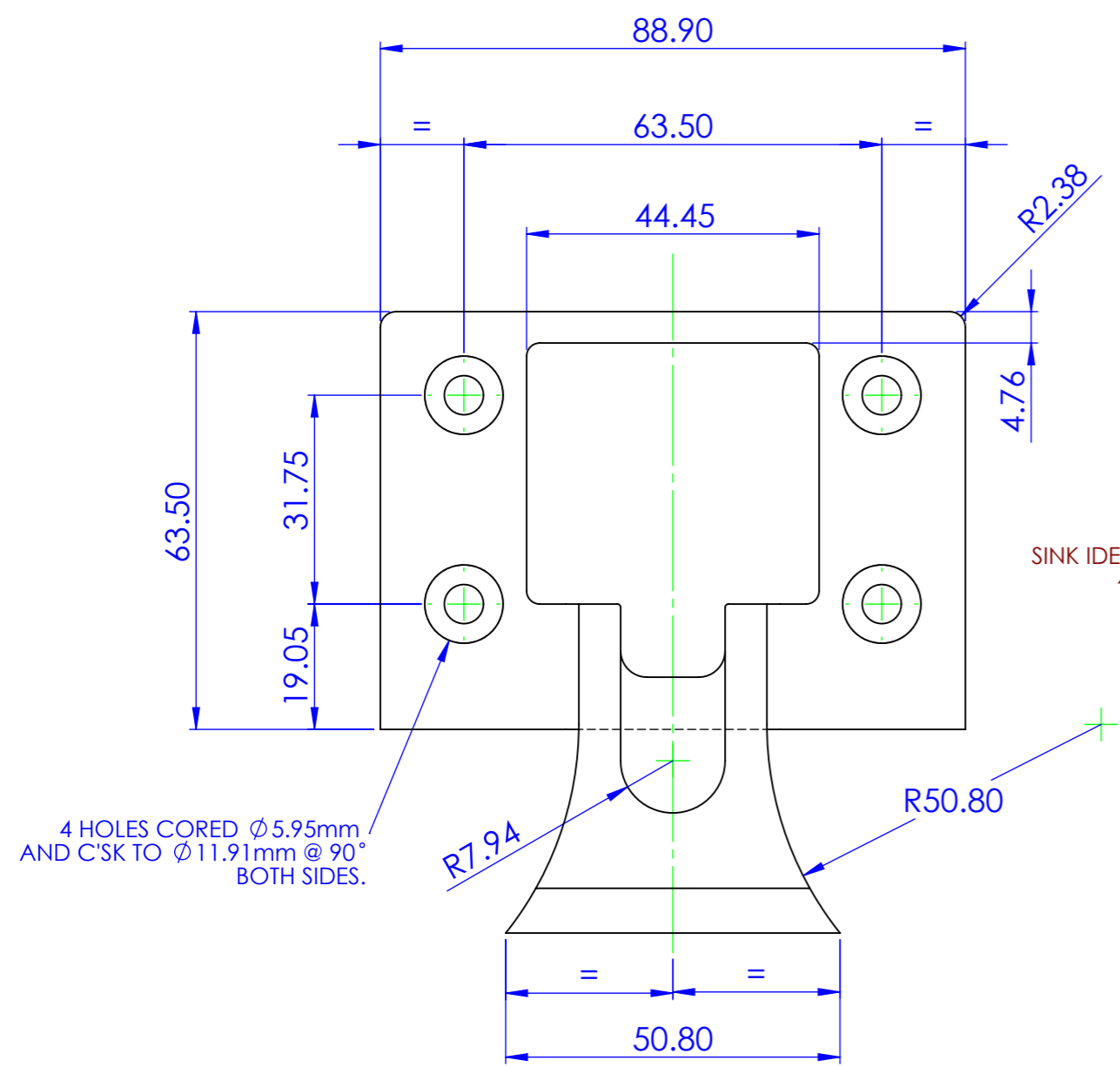
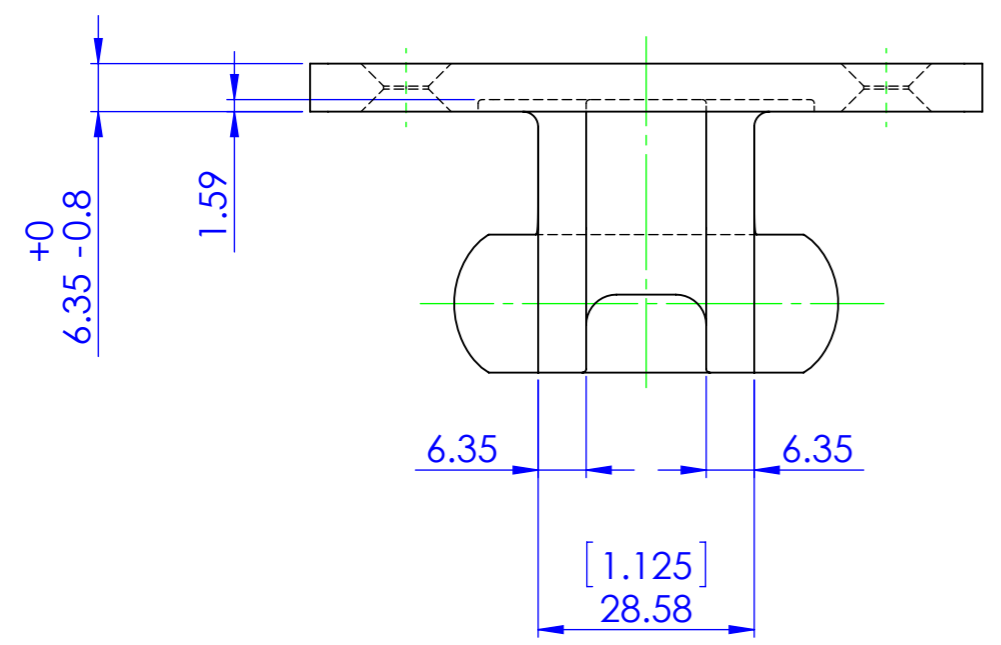
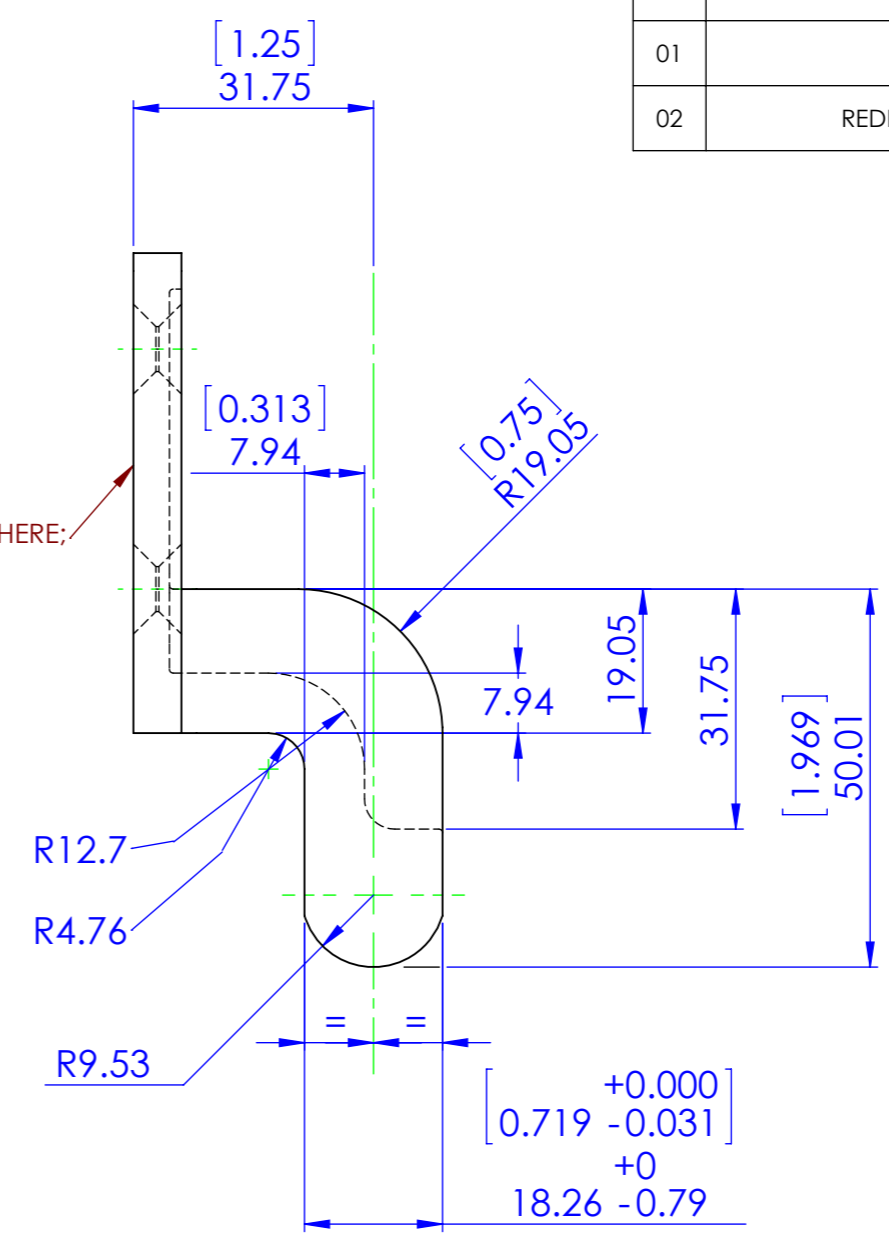


REVISIONS			
REV.	DESCRIPTION	DATE	APPROVED
01	M3308	14/07/1998	G.A.H
02	REDRAWN IN CAD	15/11/2011	B.S.A



SINK IDENTIFICATION No. HERE;
45-311 GUIDE



COBURN
SLIDING SYSTEMS

HILLALDAM COBURN LTD
UNIT 16, MERTON INDUSTRIAL PARK
LEE ROAD, LONDON
SW19 3HX,
UK
TEL:+44 (020) 8545 6680 FAX:+44 (020) 8545 6723
E-Mail:sales@hillaldam.co.uk
Web:www.coburn.co.uk

© COPYRIGHT HILLALDAM COBURN LTD

THE INFORMATION CONTAINED IN THIS DRAWING IS THE SOLE PROPERTY OF <HILLALDAM COBURN LTD>. ANY REPRODUCTION IN PART OR AS A WHOLE WITHOUT THE WRITTEN PERMISSION OF <HILLALDAM COBURN LTD> IS PROHIBITED.

MATERIAL
MALLEABLE CAST IRON

FINISH
ZINC PLATE Fe/Zn8 TO BS 1706:1990

UNLESS OTHERWISE SPECIFIED:

DIMENSION(mm) TOLERANCE
METRIC ±0.2mm
IMPERIAL ±0.05"
FRACTIONS ±1/64"

ANGULAR TOLERANCE ±0.5°

FORGING TOLERANCE SEE BS 4114

COMMENTS: REMOVE ALL SHARP EDGES AND BURRS

DRAWN DATE
BRYAN.S.A 15/11/2011

CHECKED DATE
15/11/2011

DIMENSIONS ARE IN mm/inches
DO NOT SCALE DRAWING

FILE DRG. No. 3/ 00000/ 000		TITLE: 45-311 DOOR GUIDE	
SIZE A3	DRG/PART. No. 45311.01	REV 02	
SCALE: NTS	WEIGHT:	SHEET: 1/1	