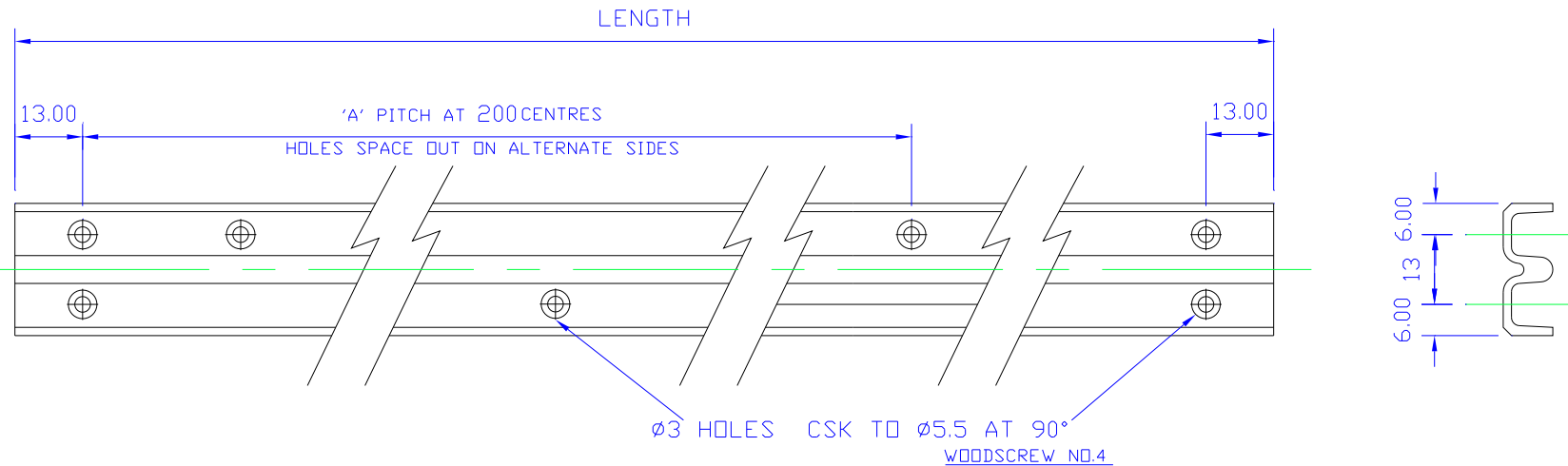
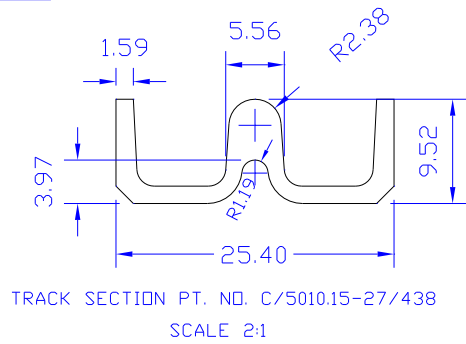


DRG No		70-3
DO NOT SCALE		
	NAME	DATE
DRN	EMMANUEL	28/02/06
CHKD		
QA		
ISSUE	MOD No	DATE
8		20/05/86
9		28/02/06



LENGTHS TO BE FLAT, STRAIGHT AND FREE FROM TWIST ETC.
CUT TO WITHIN +3 OF STATED LENGTH.



PART NO.	LENGTH	PITCHES "A"	NO. HOLES	LENGTH
C/5010.01	1500	6	10	4/5010.115/438
C/70-3-18/438	1800	8	12	4/5009.118/438
C/70-3-21/438	2100	9	13	4/05010.121/438
C/70-3-24/438	2400	11	15	4/05010.124/438
C/70-3-27/438	2700	12	16	4/05010.127/438
C/70-3-30/438	3000	14	18	4/05009.130/438

OBSELETE M2461(20.8.84)

OBSELETE M2461(20.8.84)

FULL SCALE ON A3

- NOTES
1. REMOVE ALL BURRS AND SHARP EDGES
 2. ???
 3. ???
 4. ???

		HILLALDAM COBURN LTD UNIT 6, WYVERN ESTATE, BEVERLEY WAY, NEW MALDEN, SURREY, KT3 4PH, ENGLAND. TEL:- 0181 336 1515 FAX:- 0181 336 1414	
FINISH SELF COLOUR		TOLERANCES 0 Dec Pl ±0.5mm 1 Dec Pl ±0.2mm 2 Dec Pl ±0.1mm HOLES +0.12mm ANGLES ±0.5° (UNLESS STATED)	
MATERIAL EXTRUDED BRASS ('S' QUALITY)		CAD FILE No. COBURN\70-3	
TITLE 70-3		SCALE no scale DIMENSIONS IN mm	
		COPYRIGHT HILLALDAM COBURN Ltd ALL RIGHTS RESERVED NO UNAUTHORISED COPYING	
		DRG No 70-3 A3	

/438