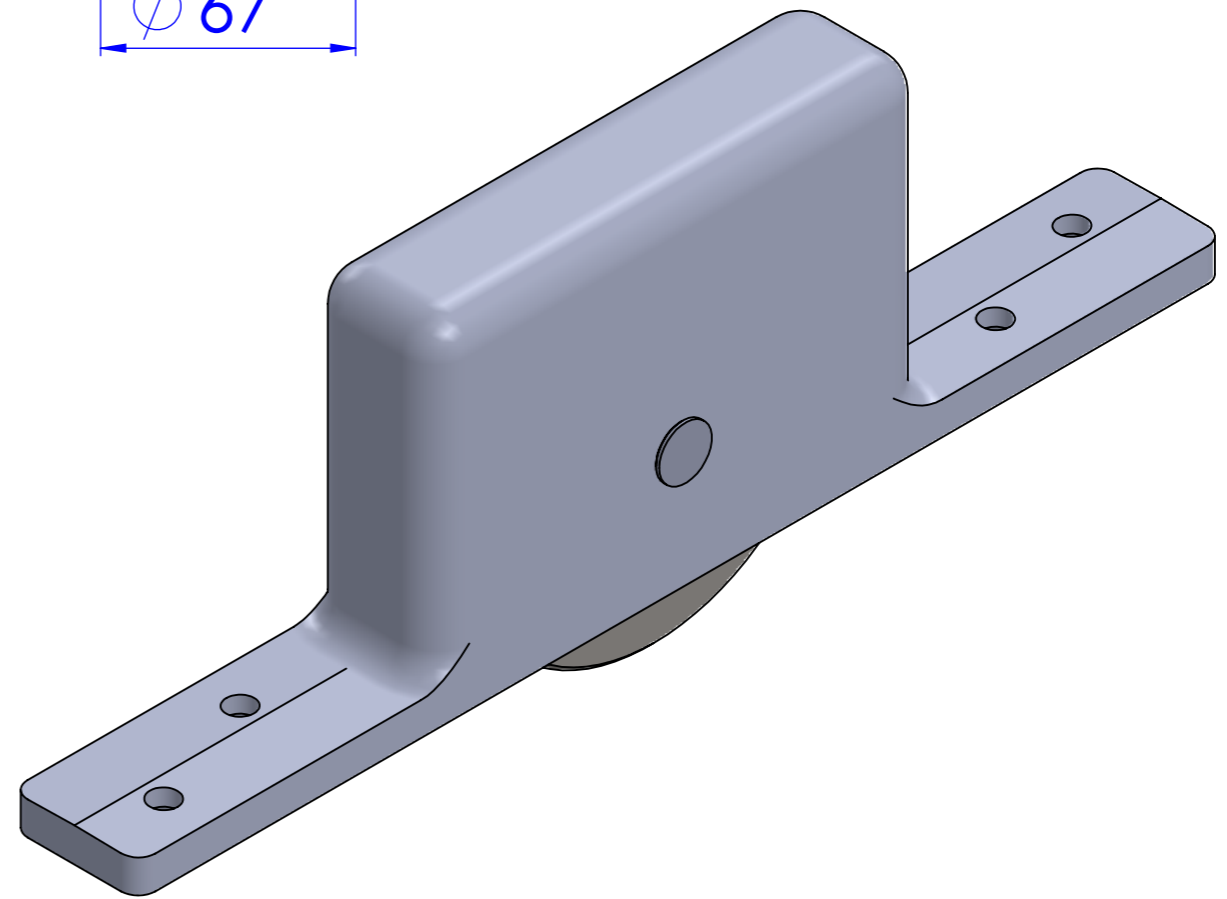


4x  $\phi$  5mm  
CSK @ 90°



<p>COBURN SLIDING SYSTEMS LIMITED Unit 1, Cardinal way, Cardinal west, Godmanchester, PE29 2XN, UK</p> <p>TEL: +44 (0)20 8545 6680 FAX: +44 (0)20 8545 6720 E-Mail: sales@coburn.co.uk Web: www.coburn.co.uk</p> <p>© COPYRIGHT COBURN SLIDING SYSTEMS LIMITED</p> <p><small>THE INFORMATION CONTAINED IN THIS DRAWING IS THE SOLE PROPERTY OF &lt;COBURN SLIDING SYSTEMS LIMITED&gt;. ANY REPRODUCTION IN PART OR AS A WHOLE WITHOUT THE WRITTEN PERMISSION OF &lt;COBURN SLIDING SYSTEMS LIMITED&gt; IS PROHIBITED.</small></p>	MATERIAL	<b>UNLESS OTHERWISE SPECIFIED:</b> <b>DIMENSION(mm) TOLERANCE</b> ZERO PL DECIMAL ±0.2 ONE PL DECIMAL ±0.1 TWO PL DECIMAL ±0.05  ANGULAR TOLERANCE ±0.5°  FORGING TOLERANCE SEE BS 4114  ALL EDGES WILL BE ROUNDED WITH 0.2mm  COMMENTS: IF IN DOUBT ASK!	DRAWN S.B	DATE 20/05/2021	FILE DRG. No.
	FINISH		CHECKED M.S	DATE -/-	TITLE:  <b>Bottom Roller</b>
			DIMENSIONS ARE IN mm DO NOT SCALE DRAWING		SIZE <b>A4</b>
					DRG/PART. No. <b>71402</b>
					REV <b>01</b>
					SCALE: 2:1 WEIGHT: SHEET: 1/1