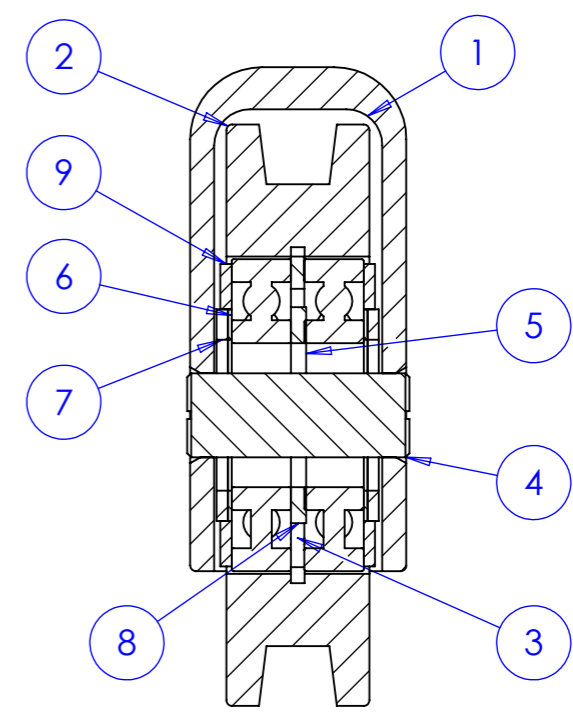
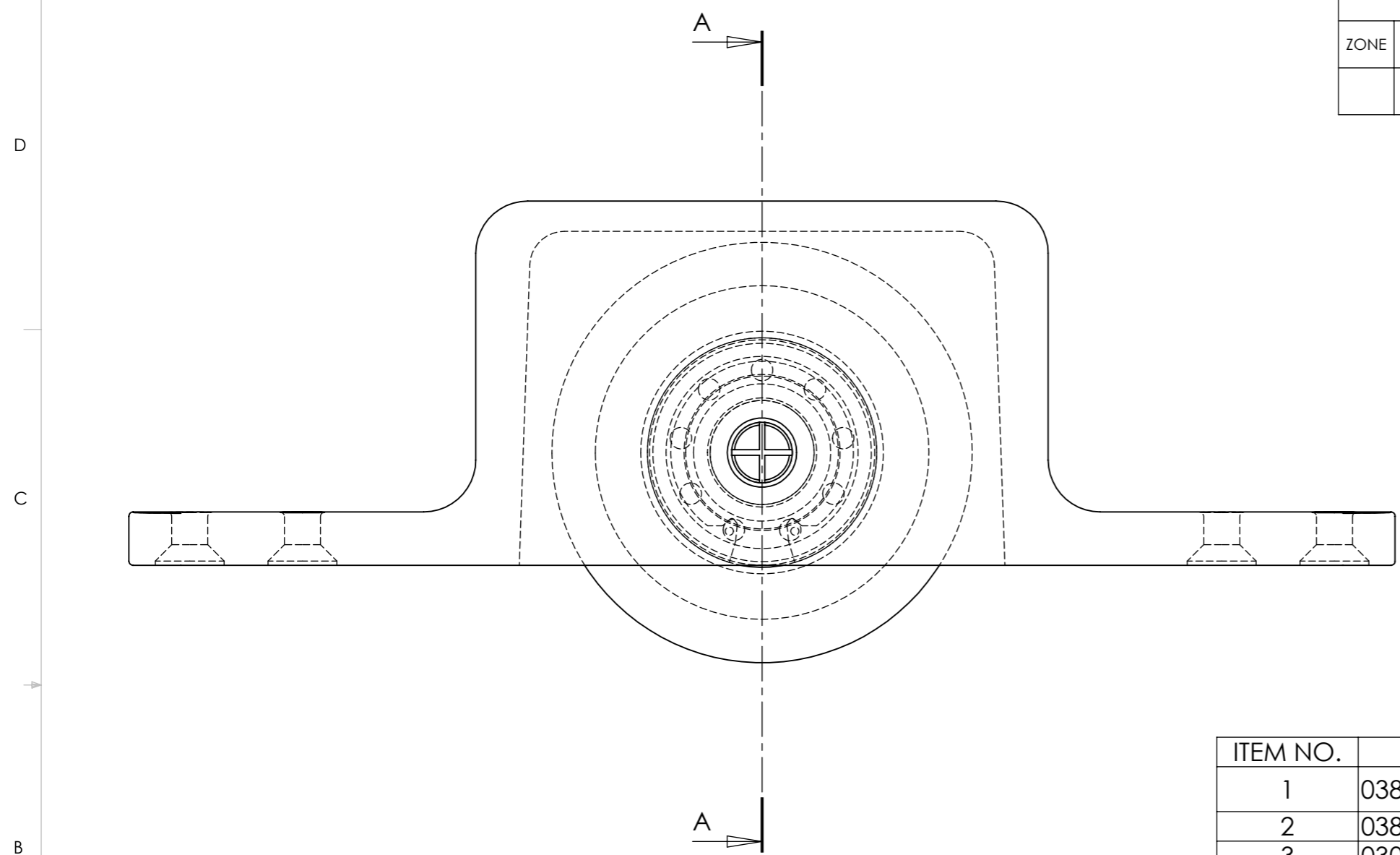


REVISIONS				
ZONE	REV.	DESCRIPTION	DATE	APPROVED
	11	M3340	16.6.99	E.JOHNSON



SECTION A-A
SCALE 1 : 1

ITEM NO.	PART NUMBER	DESCRIPTION	QTY.
1	03896.02	HOUSING 72-402 BOTTOM ROLLER	1
2	03897.02	BOTTOM ROLLER WHEEL	1
3	03032.20	INT.CIRCLIP42x1.75	1
4	03849.01	AXLE 7/16"DIA.1 5/32 LONG	1
5	03030.41	BEARING EE6(1.625,0.75,.3125)	2
6	03028.68	WASHER3/4 ID 11/80D24BG	2
7	03028.69	WASHER3/4"119/3216BG	2
8	03028.67	Washer3/4X1 1/8 14BG	1
9	03028.70	WASHER3/4"119/3216BG	2

COBURN
SLIDING SYSTEMS

HILLALDAM COBURN LTD
UNIT 16, MERTON INDUSTRIAL PARK
LEE ROAD, LONDON
SW19 3HX,
UK

COPYRIGHT HILLALDAM COBURN LTD

THE INFORMATION CONTAINED IN THIS DRAWING IS THE SOLE PROPERTY OF <HILLALDAM COBURN LTD>. ANY REPRODUCTION IN PART OR AS A WHOLE WITHOUT THE WRITTEN PERMISSION OF <HILLALDAM COBURN LTD> IS PROHIBITED.

MATERIAL	UNLESS OTHERWISE SPECIFIED: DIMENSIONS ARE IN MM	NAME	DATE	CAD FILE:	
	COMPONENT PARTS	DRAWN	E.JOHNSON		06/08/08
		CHK			
FINISH				TITLE: BOTTOM ROLLER	
COMPONENT PARTS		COMMENTS:		SIZE	
		REMOVE ALL SHARP EDGES		DWG. NO.	
APPLICATION	DO NOT SCALE DRAWING			A3	
				72402	
				REV	
				11	
				SCALE: 1:2	
				WEIGHT:	
				SHEET 1 OF 1	