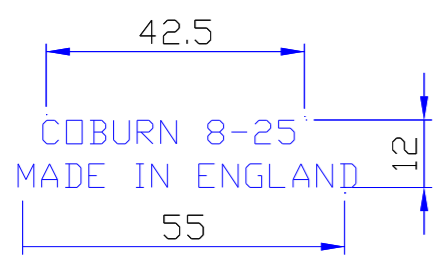
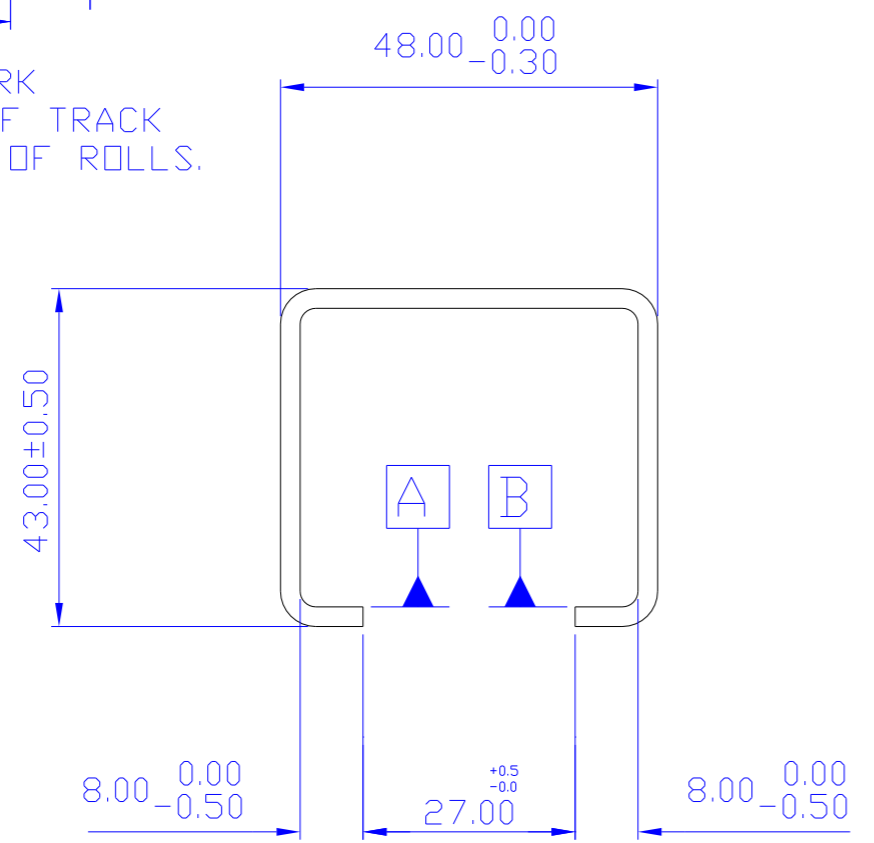


DRG No 8-25-18/
8-25-60
DO NOT SCALE

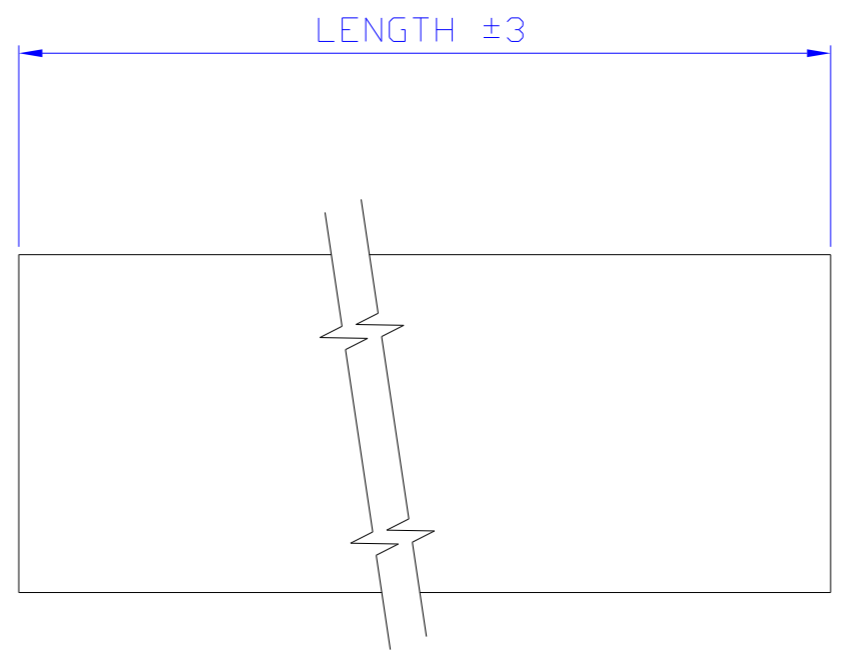
	NAME	DATE
DRN	R.CARTER	29MAY96
CHKD		
QA		
ISSUE	MOD No	DATE
08	M3284	29MAY96



IDENTIFICATION MARK
STAMPED ON TOP OF TRACK
TO SUIT DIAMETER OF ROLLS.



CRITICAL
DIMENSION



PART NUMBER	LENGTH
8-25-18	1800
8-25-21	2100
8-25-24	2400
8-25-30	3000
8-25-60	6000

NOTES:

- VARIATION BETWEEN SURFACES 'A' & 'B' NOT TO EXCEED 0.5
- ALL BENDS 90° ± 0.5°
- LENGTHS TO BE SUPPLIED STRAIGHT AND FREE FROM TWIST
- FLARE AT ENDS MUST BE KEPT TO A MINIMUM
- LENGTHS TO BE SUPPLIED FREE FROM WHITE RUST AND OTHER DEFECTS



HILLALDAM COBURN LTD
UNIT 6, WYVERN ESTATE, BEVERLEY WAY,
NEW MALDEN, SURREY, KT3 4PH, ENGLAND.
TEL:- 0181 336 1515
FAX:- 0181 336 1414

CAD FILE No.
COBURN\8\8-25

FINISH SEE MATERIAL
AND NOTE 5

TOLERANCES
0 Dec Pl ±0.5mm
1 Dec Pl ±0.2mm
2 Dec Pl ±0.1mm
HOLES +0.12mm
ANGLES ±0.5°
(UNLESS STATED)

SCALE 1:1
DIMENSIONS IN mm

MATERIAL GALV. MS SLIT COIL TO BS 2989 : 1982
Z2G275N; 2.50±0.20 THK; 136.7±0.127 WIDE

COPYRIGHT HILLALDAM COBURN Ltd
ALL RIGHTS RESERVED
NO UNAUTHORISED COPYING

TITLE 8-25 TRACK

DRG No 8-25-18
A3 8-25-60/438