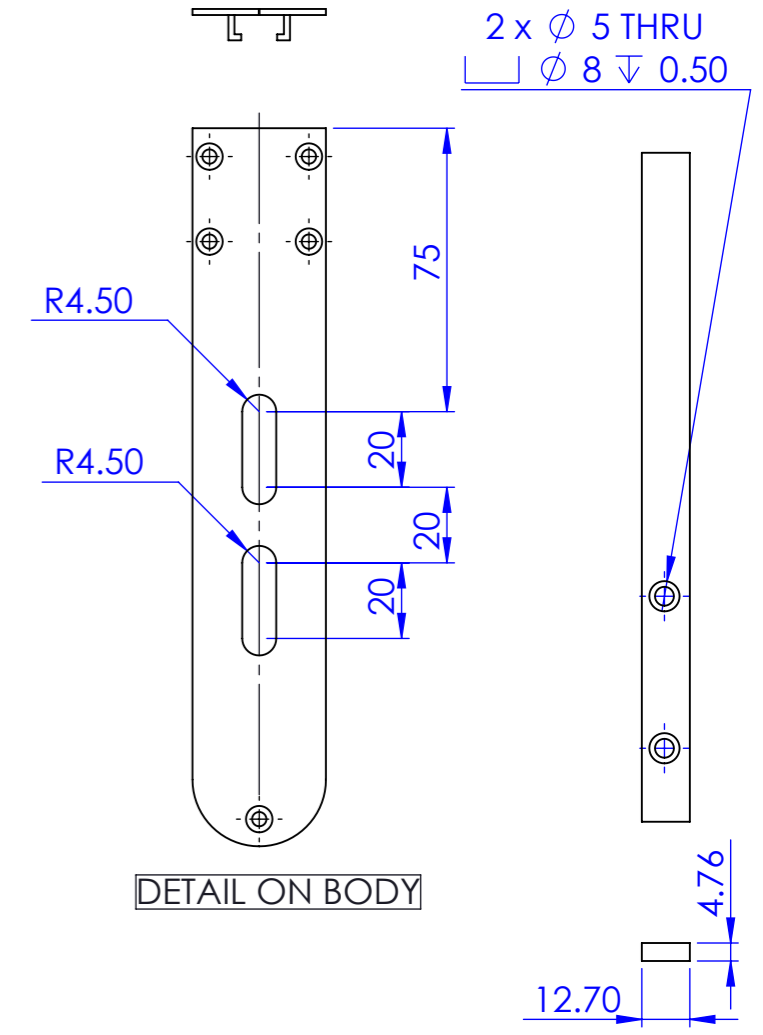
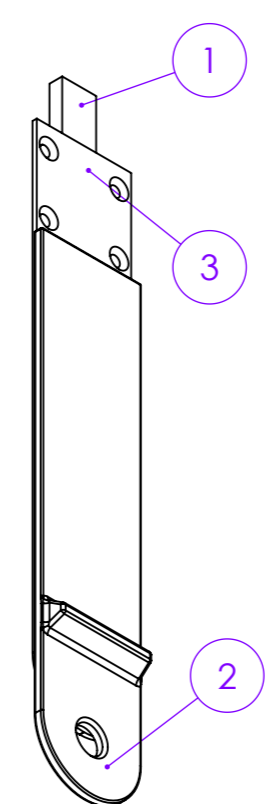
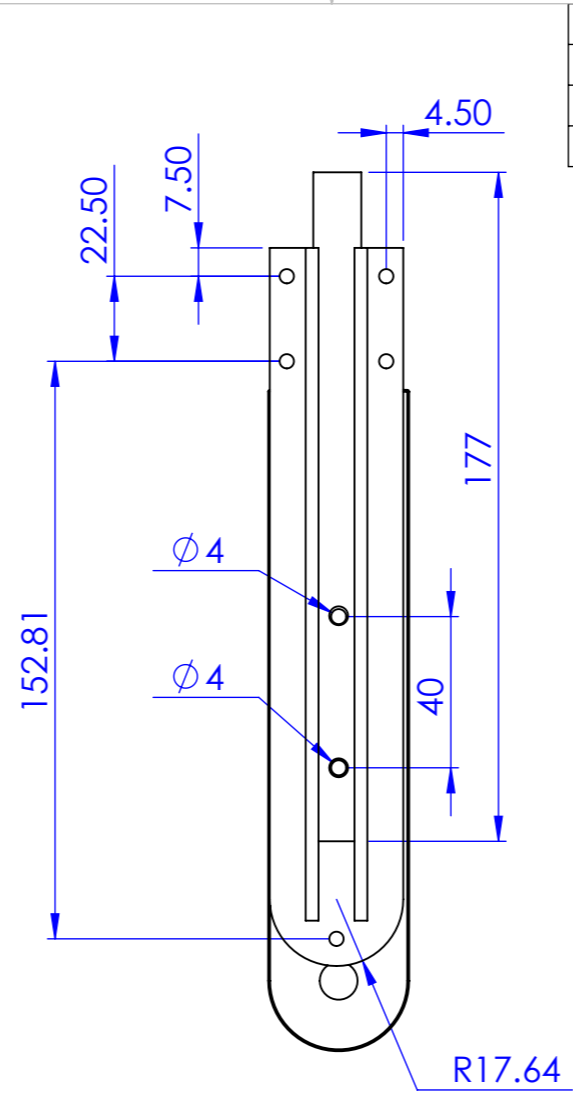
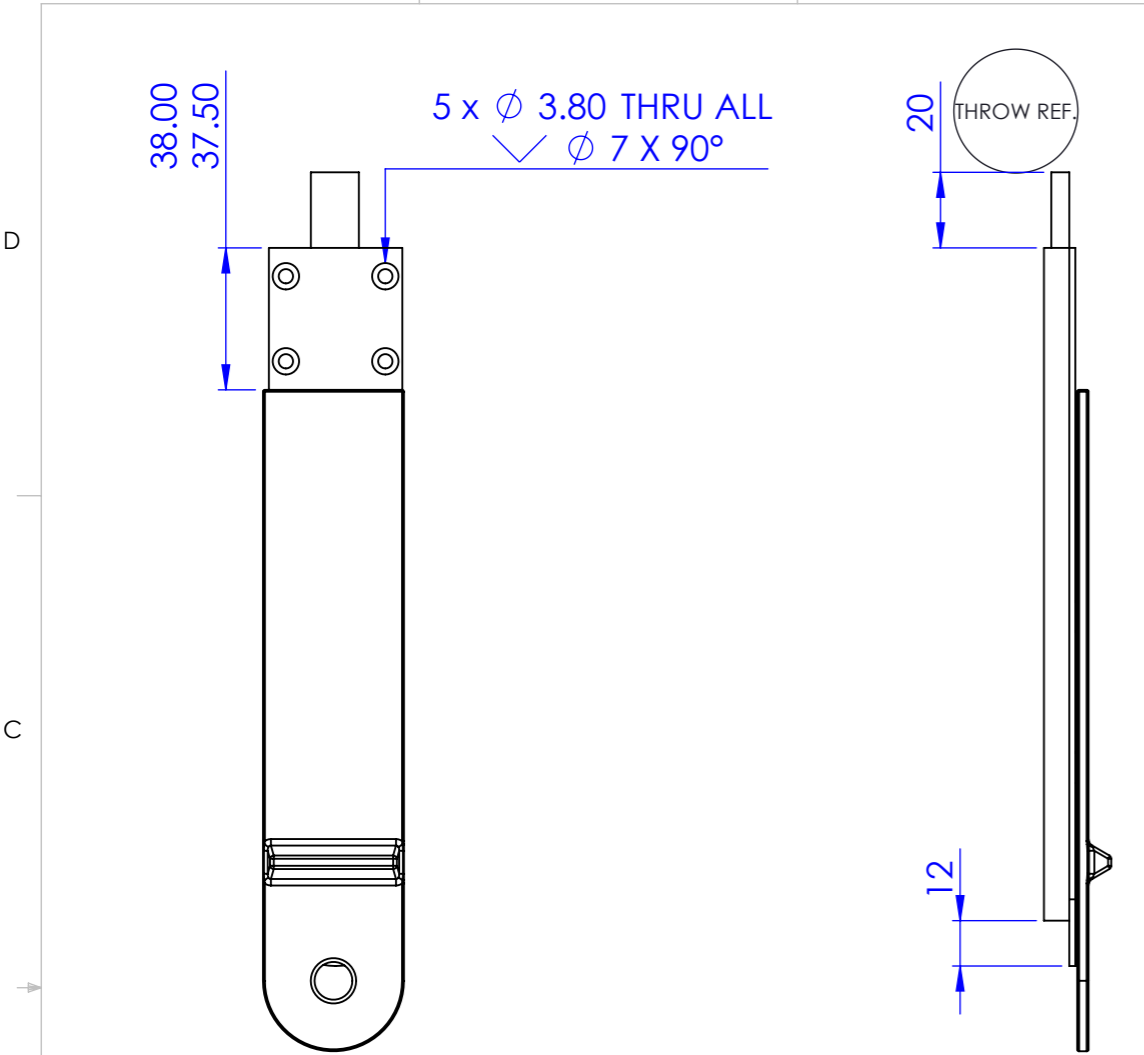
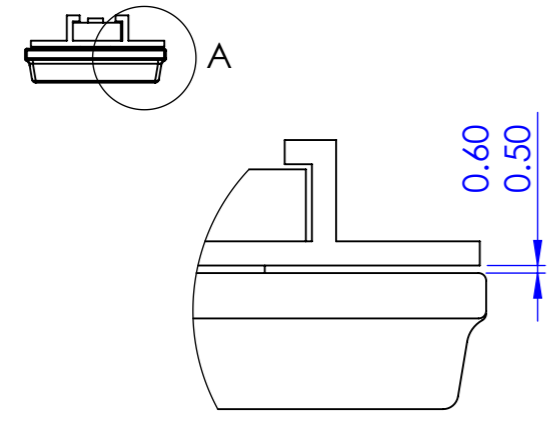


ITEM NO.	PART NUMBER	DESCRIPTION	QTY.
1	04525.02	BOLT SHOOT EXTRUSION	1
2	04529.01	FLUSH BOLT PLATE	1
3	04525.01	BOLT HOUSING EXTRUSION	1



COUNTERBORE SHOOT TO MAINTAIN DIMENSION



DETAIL A
SCALE 2 : 1



THE INFORMATION CONTAINED IN THIS DRAWING IS THE SOLE PROPERTY OF <HILLDAM COBURN>. ANY REPRODUCTION IN PART OR AS A WHOLE WITHOUT THE WRITTEN PERMISSION OF <HILLDAM COBURN> IS PROHIBITED.

ISSUE	MOD NO.	USED ON	UNLESS OTHERWISE SPECIFIED:	NAME	DATE	ISSUE
01			DIMENSIONS ARE IN INCHES TOLERANCES: FRACTIONAL ± ANGULAR: MACH ± BEND ± TWO PLACE DECIMAL ± THREE PLACE DECIMAL ±	DRAWN	E.JOHNSON	31/01/07
02				CHECKED	ISSUE	ISSUE
03				ENG APPR.	E.JOHNSON	31/01/07
04			INTERPRET GEOMETRIC TOLERANCING PER:	MFG APPR.	F.DENNIS	31/01/07
05			MATERIAL SEE INDIVIDUAL PARTS	Q.A.	E.JOHNSON	31/01/07
			FINISH SILVER POWDER COAT	COMMENTS:		
		APPLICATION	DO NOT SCALE DRAWING			

TITLE: FLUSH BOLT 190		
SIZE B	DWG. NO. 95697.01	REV 01
SCALE: 1:2	WEIGHT:	SHEET 1 OF 1