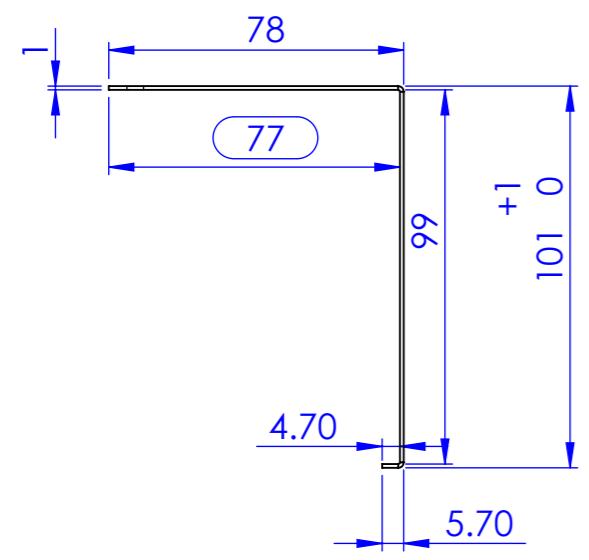
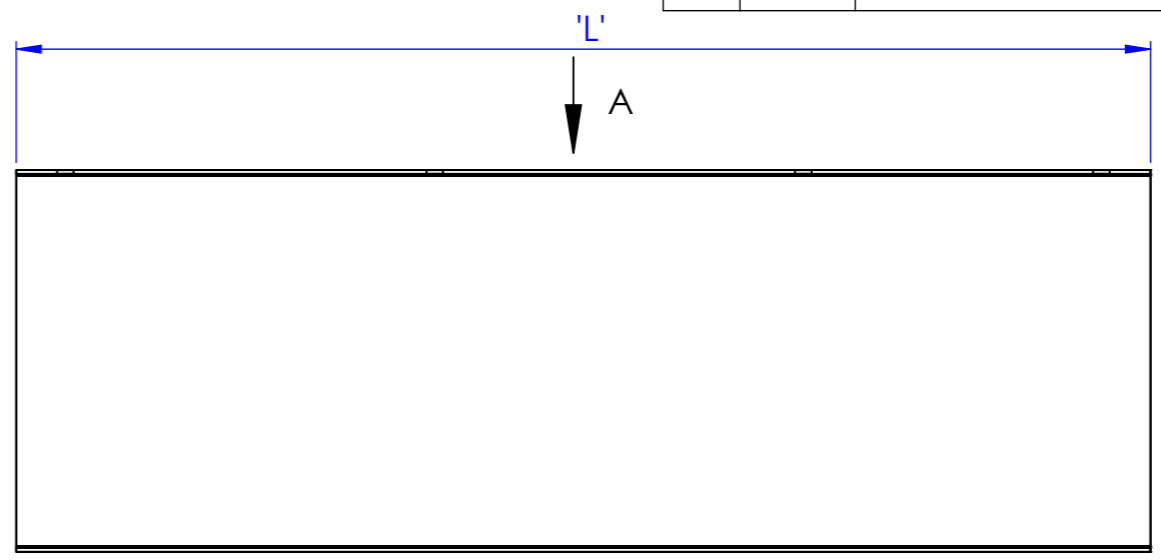


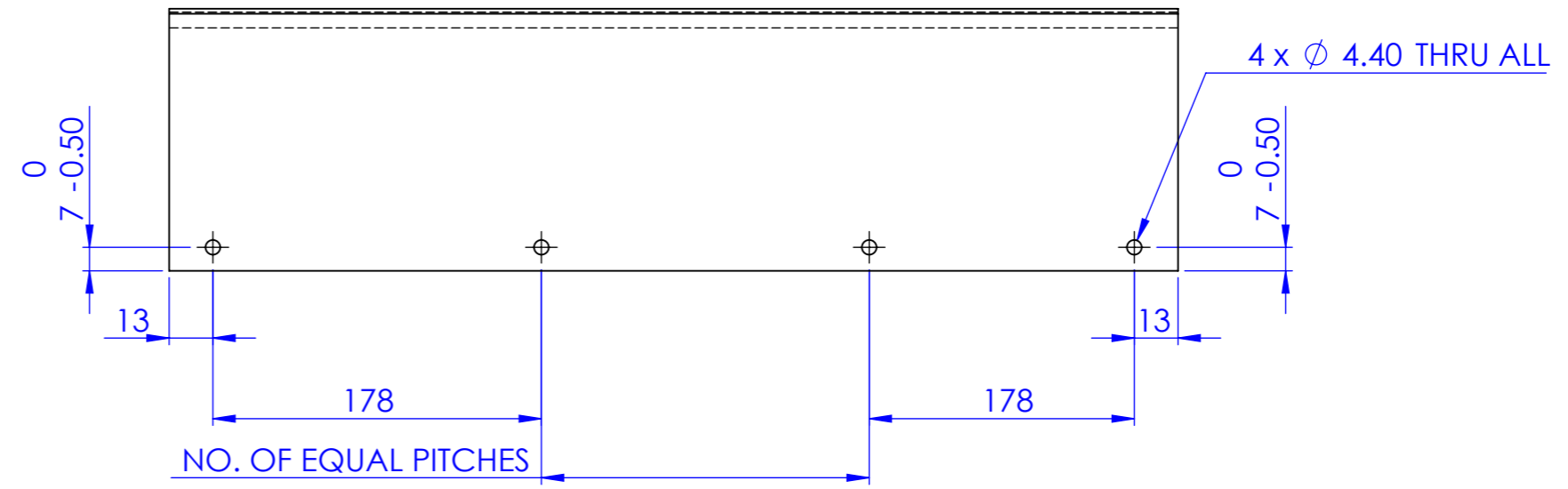
REVISIONS				
ZONE	REV.	MOD.NO.	DATE	APPROVED
	01	M3308	01/04/99	G.A.H



RADII R= 1.0 MAX
 DEVELOPED LENGTH = 182 MM



VIEW A
 SCALE 1 : 2



NO. OF EQUAL PITCHES

SEE TABLE

PART. NO.	SIZE	DIM'L'	NO. OF PITCHES
97018.01	9-707-3	1800	2
97024.01	97-705-5	2400	3

COBURN
 SLIDING SYSTEMS
 HILLALDAM COBURN LTD
 UNIT 6 WYVERN ESTATE, BEVERLEY WAY
 NEW MALDEN, SURREY
 KT3 4PH
 COPYRIGHT HILLALDAM COBURN LTD
 THE INFORMATION CONTAINED IN THIS DRAWING IS THE SOLE PROPERTY OF <HILLALDAM COBURN LTD>. ANY REPRODUCTION IN PART OR AS A WHOLE WITHOUT THE WRITTEN PERMISSION OF <HILLALDAM COBURN LTD> IS PROHIBITED.

MATERIAL	GALVANISED STEEL SHEET. BS 2989
FINISH	SELF COLOUR
APPLICATION	DO NOT SCALE DRAWING

UNLESS OTHERWISE SPECIFIED: DIMENSIONS ARE IN MM	NAME	DATE
TOLERANCES: FRACTIONAL ± ANGULAR: MACH ±0.5 BEND ± ZERO PLACE DECIMAL ± 0.5 ONE PLACE DECIMAL ±0.2 TWO PLACE DECIMAL ±0.1	DRAWN	E.JOHNSON 05/06/07
	CHK	
INTERPRET GEOMETRIC TOLERANCING PER:	Q.A.	E.JOHNSON 05/06/07
COMMENTS:		

CAD FILE:		
TITLE: 97-707 PELMET		
SIZE A3	DWG. NO. 97018-24	REV 01
SCALE:	WEIGHT:	SHEET 1 OF 1