

1

2

3

4

DRG No 97722.01

DO NOT SCALE

	NAME	DATE
DRN	G.A.H.	16/06/98
CHKD		
QA		
ISSUE	MOD No	DATE
01	M3308	16/06/98

3/4" DIA

1/2" DIA

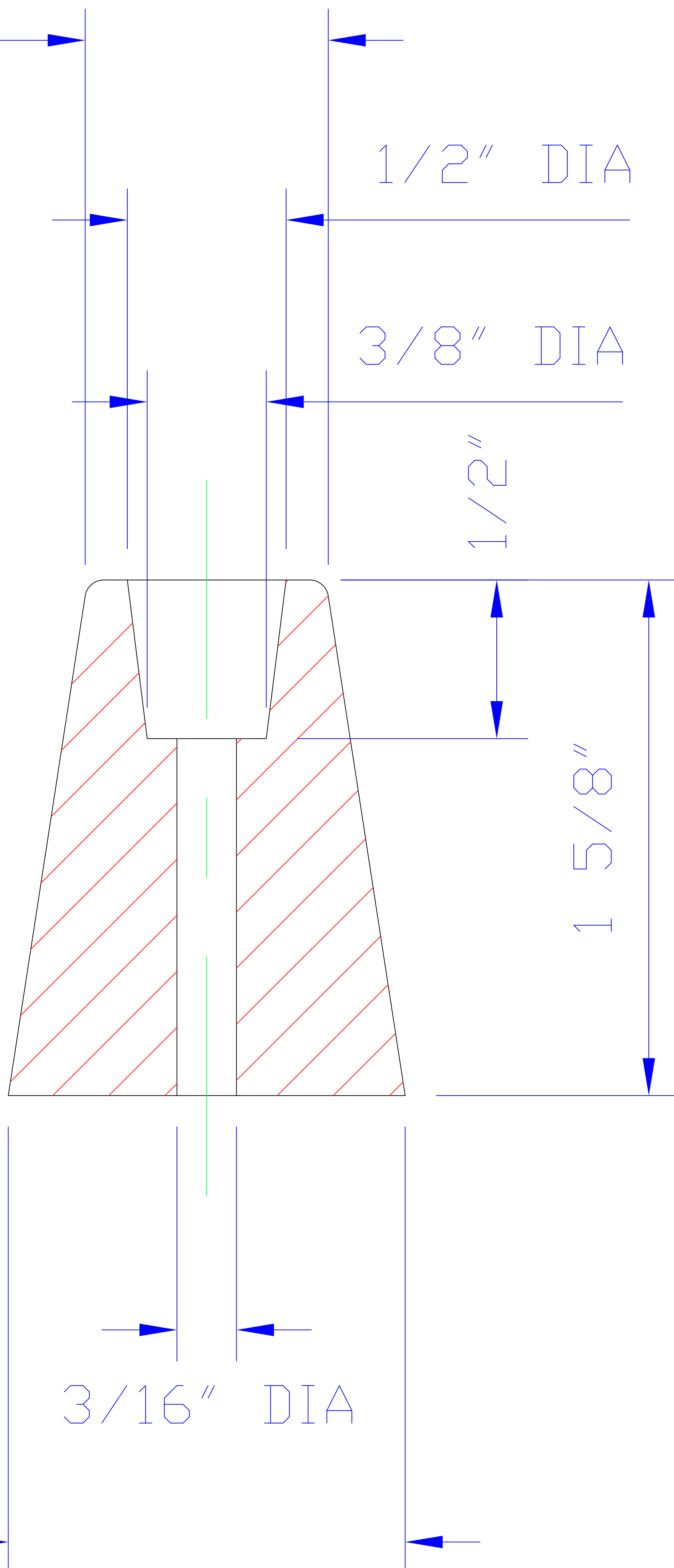
3/8" DIA

1/2"

1 5/8"

3/16" DIA

1 1/4" DIA



NOTES

- 1. REMOVE ALL BURRS AND SHARP EDGES
- 2. ???
- 3. ???
- 4. ???

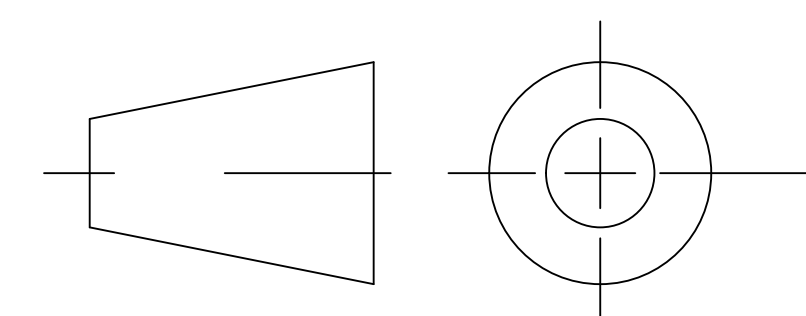


HILLALDAM COBURN LTD
 UNIT 6, WYVERN ESTATE, BEVERLEY WAY,
 NEW MALDEN, SURREY, KT3 4PH, ENGLAND.
 TEL:- 0181 336 1515
 FAX:- 0181 336 1414

CAD FILE No.
 COBURN\97722-01.DWG)

FINISH

TOLERANCES



SCALE 1:1
 DIMENSIONS IN mm

MATERIAL NATURAL BLACK RUBBER
 HARDNESS SHORE "A" 66/70.

0 Dec Pl ±0.5mm
 1 Dec Pl ±0.2mm
 2 Dec Pl ±0.1mm
 HOLES +0.12mm
 ANGLES ±0.5°
 (UNLESS STATED)

COPYRIGHT HILLALDAM COBURN Ltd
 ALL RIGHTS RESERVED
 NO UNAUTHORISED COPYING

TITLE RUBBER BUFFER

DRG No 97722.01/437

A4