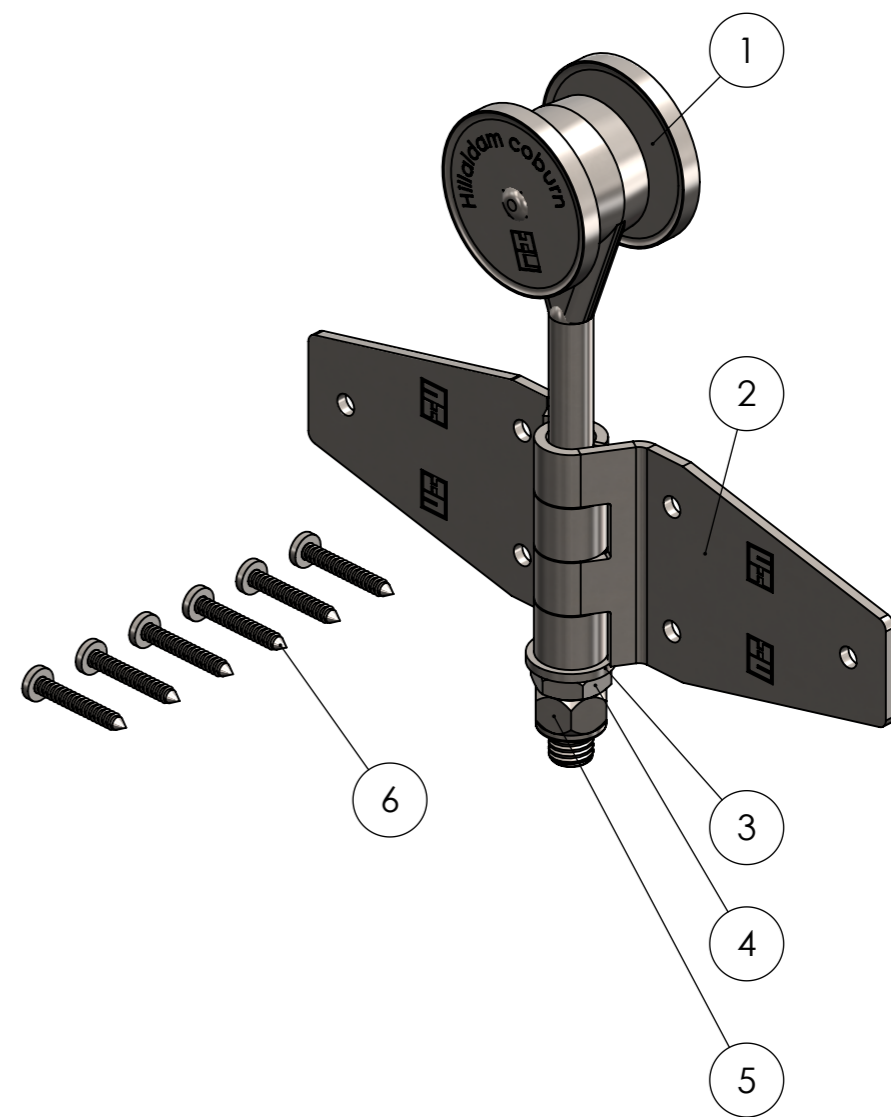
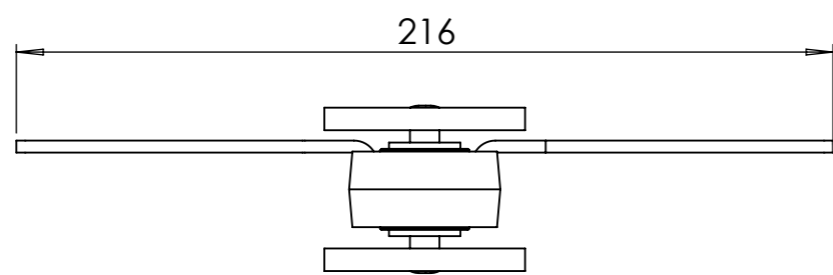
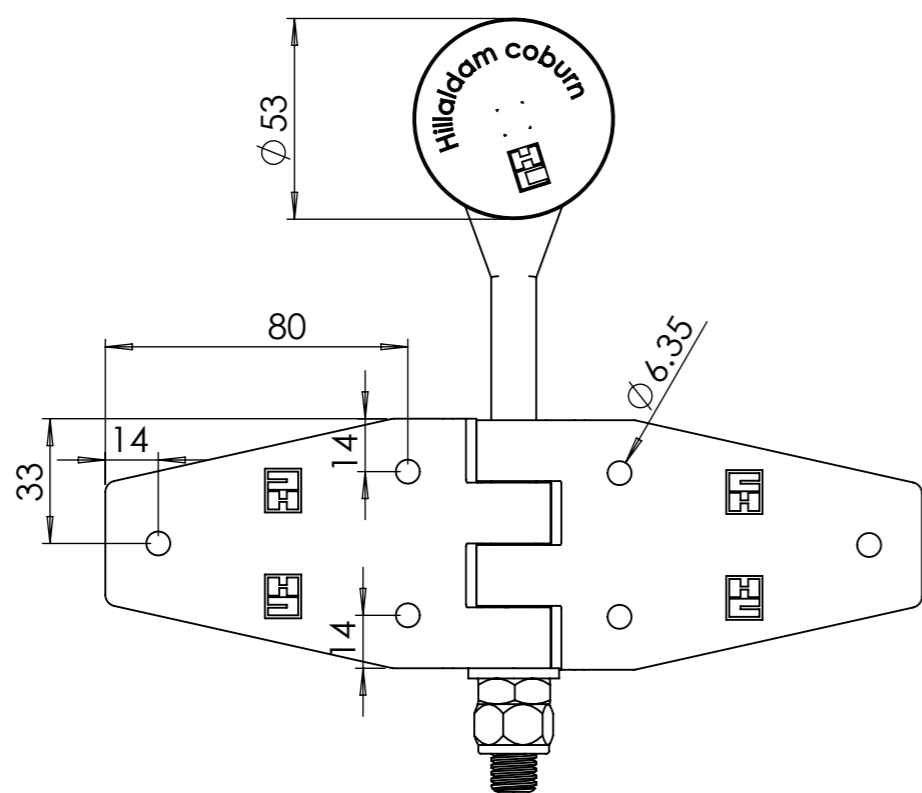
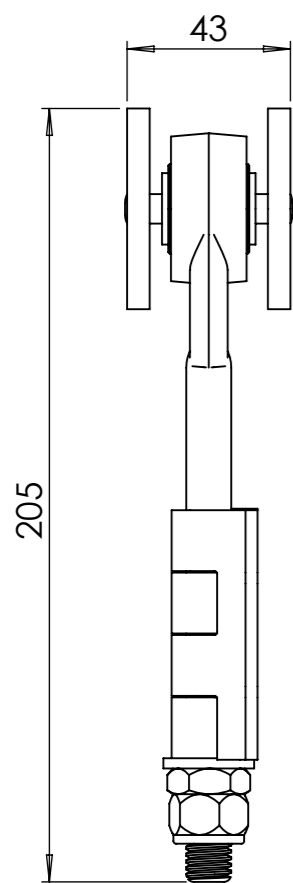


8 7 6 5 4 3 2 1

F
E
D
C
B
A

F
E
D
C
B
A



ITEM NO.	PART NUMBER	DESCRIPTION	QTY.
1	03200.62	No.3 HANGER - 2 STEEL WHEELS, CAST BODY - Rev.01	1
2	09368.02	Steel backflap - Rev.04	2
3	03028.121	BRIGHT WASHER M12 (FORM B)	1
4	03025.123	M12 HEX. NUT	1
5	03026.112	M12 STATITE LOCK NUT	1
6	03004.54	Screw pack - Rev.01	1

COBURN SLIDING SYSTEMS LIMITED Unit 1, Cardinal west, Godmanchester, PE29 2XN United Kingdom TEL: +44 (0)20 8545 6680 FAX: +44 (0)20 8545 6720 E-Mail: sales@coburn.co.uk Web: www.coburn.co.uk	UNLESS OTHERWISE SPECIFIED: DIMENSION(mm) TOLERANCE ZERO PL DECIMAL ±0.2 ONE PL DECIMAL ±0.1 TWO PL DECIMAL ±0.05 ANGULAR TOLERANCE ±0.5° FORGING TOLERANCE SEE BS EN 10243 ALL EDGES WILL BE ROUNDED WITH 0.2mm COMMENTS: IF IN DOUBT ASK!	MATERIAL	DRAWN by: Adrian BOGDAN	DRAWING TYPE Final part drawing	
		FINISH	DATE: 16/06/2017	TITLE: FOLDASIDE 310 2 WHEEL CENTRE HANGER	
© COPYRIGHT COBURN SLIDING SYSTEMS LIMITED THE INFORMATION CONTAINED IN THIS DRAWING IS THE SOLE PROPERTY OF <COBURN SLIDING SYSTEMS LIMITED>. ANY REPRODUCTION IN PART OR AS A WHOLE WITHOUT THE WRITTEN PERMISSION OF <COBURN SLIDING SYSTEMS LIMITED> IS PROHIBITED.	FIRST ANGLE PROJECTION	CHECKED by: - DATE: -	SIZE A3	DWG NO. 03221	REV. 02
			SCALE: 1:2	WEIGHT:	SHEET 1 / 1

8 7 6 5 4 3 2 1