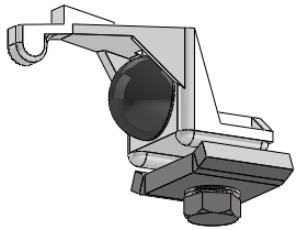


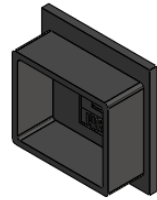
# STRAIGHTAWAY 100 Fitting Instructions for Track End Stop and End Caps



Max weight: 100Kg, Max height: 2.5m, Thickness: 20-50mm

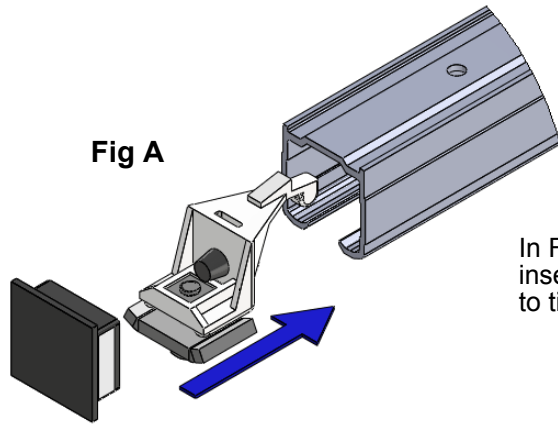


Track End Stop 01419 / 01719



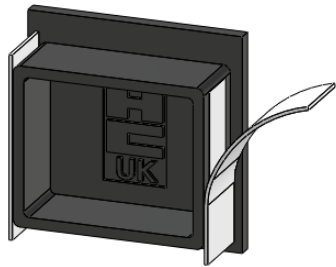
End Cap 01220

Fig A



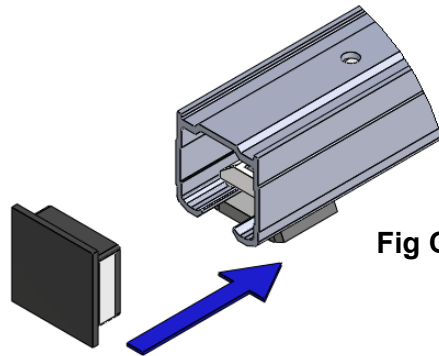
In Fig A blue arrow shows the track stop inserted into the track. Then use spanner to tighten the bolt.

Fig B



Peel off the tape strips as shown in Fig B and then insert the end cap into the track see Fig C.

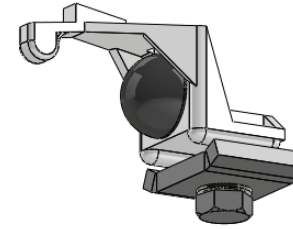
Fig C



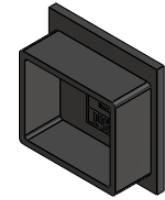
# STRAIGHTAWAY 100 Fitting Instructions for Track End Stop and End Caps



Max weight: 100Kg, Max height: 2.5m, Thickness: 20-50mm

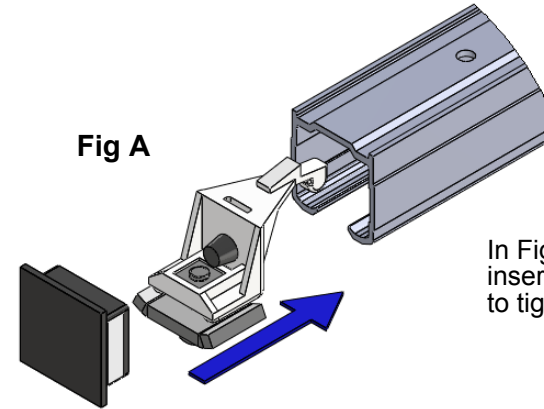


Track End Stop 01419 / 01719



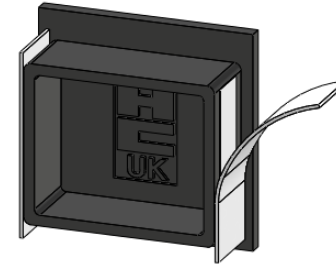
End Cap 01220

Fig A



In Fig A blue arrow shows the track stop inserted into the track. Then use spanner to tighten the bolt.

Fig B



Peel off the tape strips as shown in Fig B and then insert the end cap into the track see Fig C.

Fig C

