

STRAIGHTAWAY 100

SLIDING & FOLDING DOOR SYSTEM

ASSEMBLY INSTRUCTIONS

SPECIFICATION

Maximum Door Weight: 100kg
Door Thickness: 20-50mm
Maximum Door Height: 2500mm
Track Dimensions: 31mm(w) x 30mm(h)

Tracks can be ceiling mounted or face fixed.
Suitable for timber, aluminium or metal doors.
Smooth and silent running.
Soft closing available.
Simultaneous opening (syncro) optional.

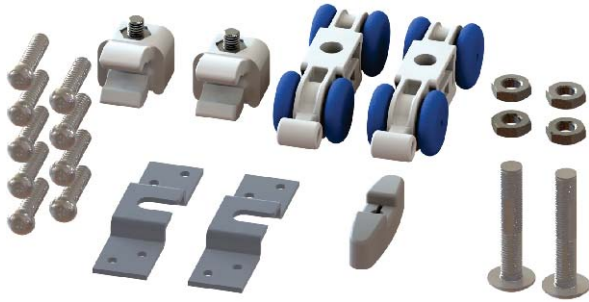
COMPONENTS



12215/18/21/24/30 - ANODIZED ALUMINIUM TRACK



01725 - TRACK STOP (PAIR)



01206 - FITTINGS PACK



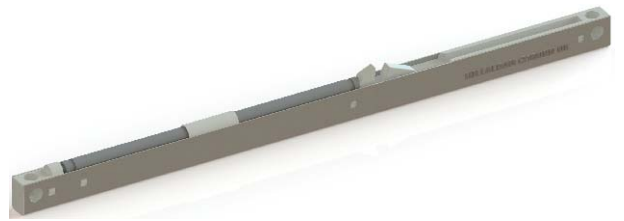
01207 - HANGER PACK



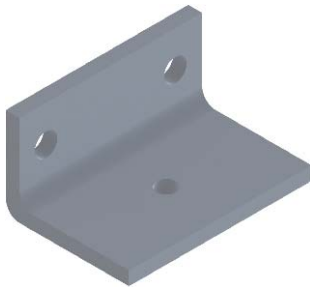
01208 - ONE DOOR GEAR PACK



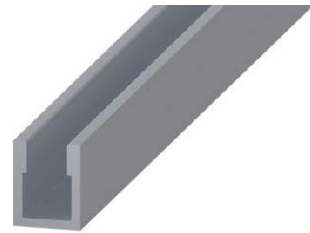
61401 - SIMULTANEOUS
KIT



30613 - SOFT CLOSER, 70KG



01005 - FACE FIXED
BRACKET (5PCS)



41215/18/21/24/30 - CHANNEL
(ALU)



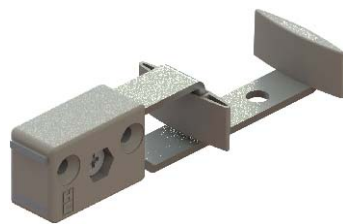
43215/18/21/24/30
CHANNEL (ALU)



44215/18/21/24/30
CHANNEL (ALU)



03937 - ADJUSTABLE
RATTLE PROOF GUIDE
6MM ROLLER



97780 - GUIDE



03938 - ADJUSTABLE
RATTLE PROOF GUIDE
13MM ROLLER



44319 - GUIDE,
PAIR, FOR METAL
DOORS



22392 - NYLON
GUIDE (SQUARE)



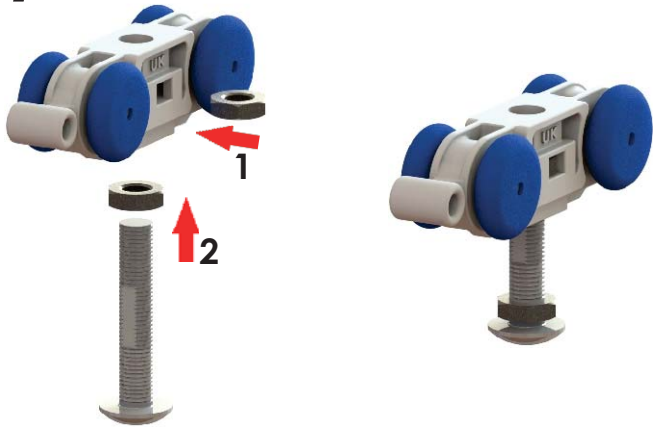
42371.01 - GUIDE
(NYLON)

Step 1 Preparing track

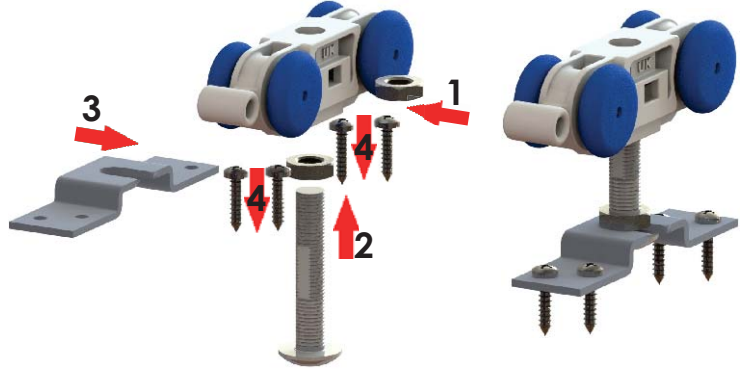


Minimum track length must be 2 x door width (DW).
Place track on a flat surface and cut it to required length.

Step 2 Preparing hanger



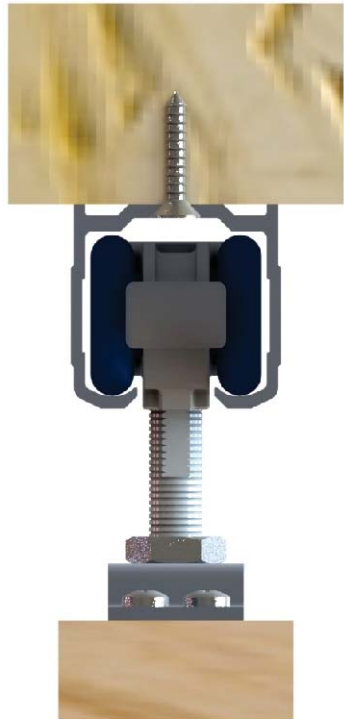
Hanger for metal doors (pair)



Hanger for timber doors (pair)

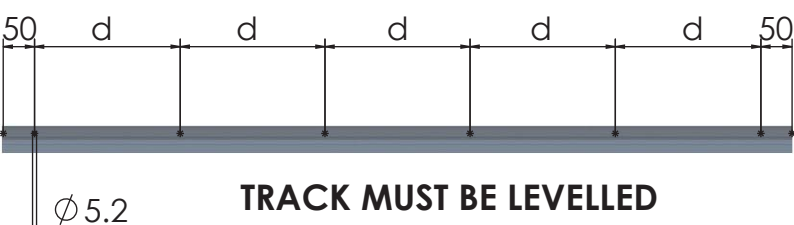
Step 3 Fixing track

Soffit fixing

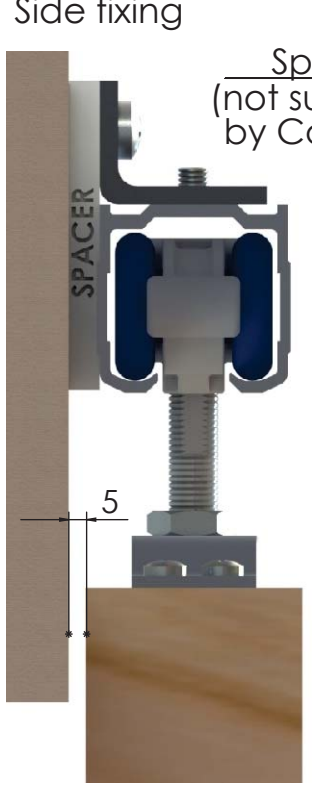


Pre-drill $\phi 5.2$ holes for easier installation

Dimension 'd' must be between 275 and 300



Side fixing

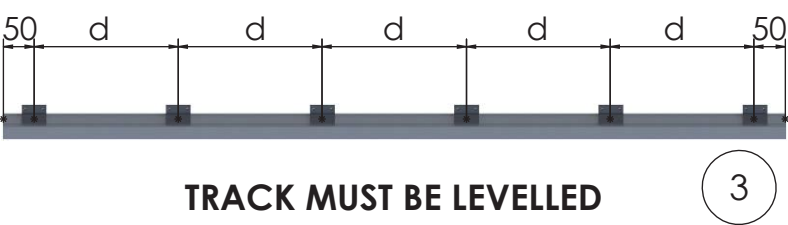


Spacer (not supplied by Coburn)



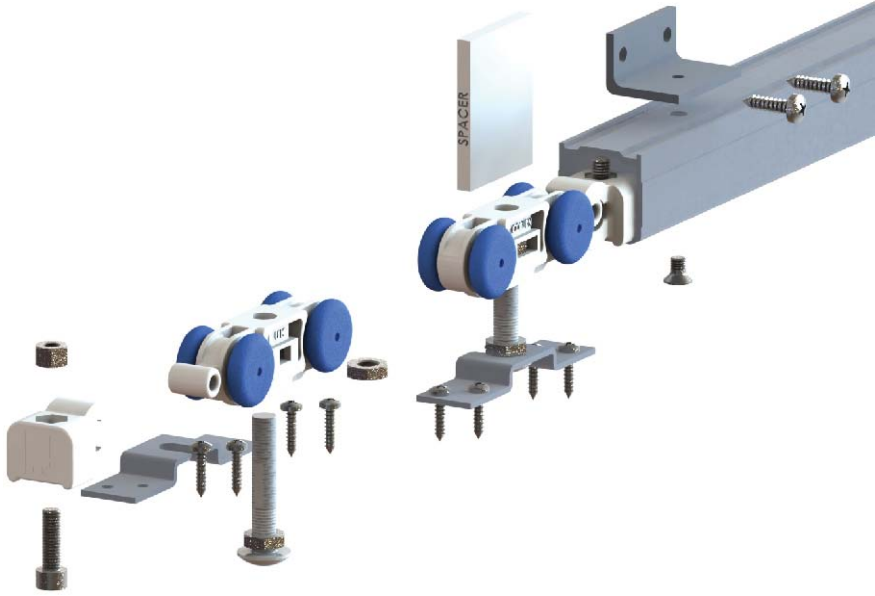
Use a spacer between the bracket and the wall so that there will be a 5mm distance between the door and wall

Dimension 'd' must be between 275 and 300

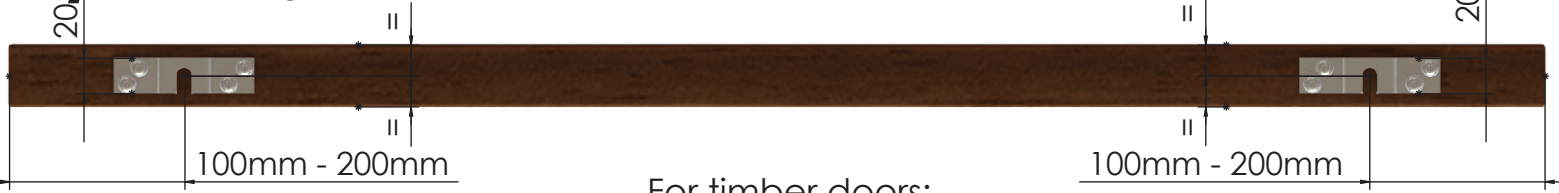


Step 4 Components layout

If you opted for a **Soft Closer** please refer to the fitting instructions for the soft closer (**OPTIONAL**).

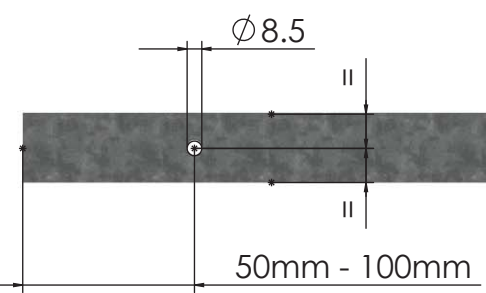


Step 5 Preparing the door

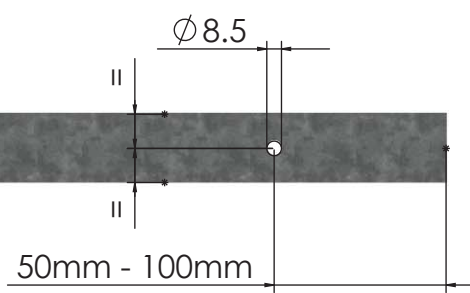


For timber doors:

Mark the proper position of the hanger plates on top of the door and fix them with screws

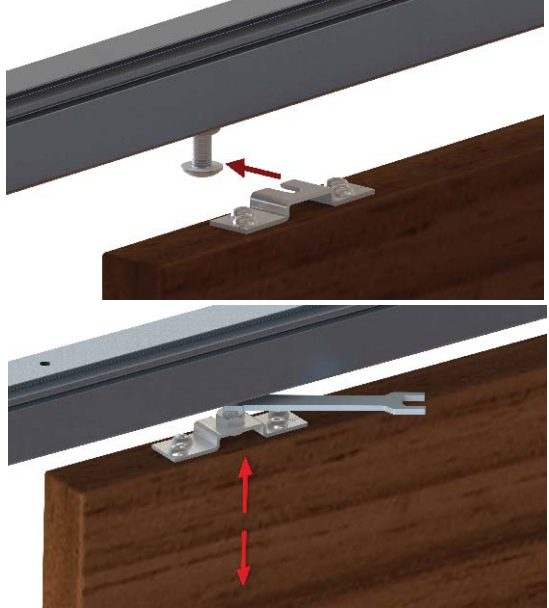


For metal door:
Drill 2 $\varnothing 8.5$ holes on top of the door.



If you opted for a **Simultaneous Syncro Kit** please refer to the fitting instructions for the simultaneous syncro kit (**OPTIONAL**).

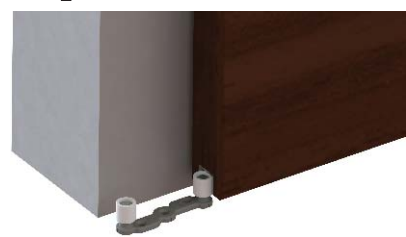
Step 6 Door installation



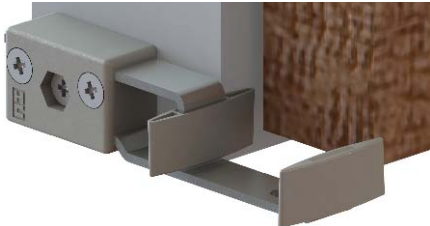
Insert the door panel and adjust it vertically.

Ensure that the door panel is square, level and plumb

Step 7 Bottom guide installation



03938 - ADJUSTABLE RATTLE PROOF, 13mm ROLLER



97780 - GUIDE



44319 - GUIDE, PAIR, FOR METAL DOORS