



## Straightaway 700SS Residential Sliding & Folding Door Systems

### Door Specifications

- Maximum Door Weight: 115kg
- Door Thickness: 30-60mm
- Door Construction:  
Width one third height minimum, handle height three fifths from bottom for best results. When fully open, the sliding panel should project a minimum of 65mm to avoid fingers becoming trapped between handle and fixed panel. Suitable for doors of normal timber-framed construction, panelled, glazed or framed.

- Maximum Door Height: 2400mm

- Top Channel Dimensions:  
25mm (w) x 25mm (h)

### Hardware Specifications

- Aluminium top channel soffit fixed, drilled and countersunk for woodscrews
- Bottom tracks drilled and countersunk for woodscrews

- Top track surface mounted or recessed, floor tracks surface mounted or recessed
- For single, bi parting or bi passing doors
- Aluminium rattle proof top guides with brush welt
- Die cast casings on rollers, nylon wheels with needle bearings ensure smooth operation even on heavy doors
- Components also available in stainless steel

# Straightaway 700SS

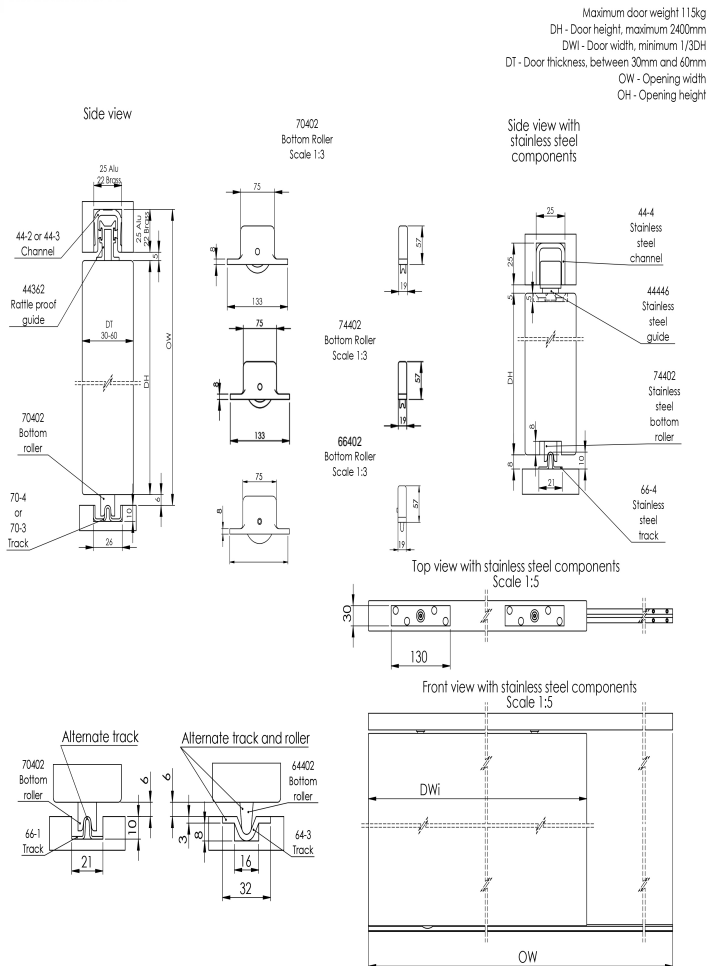
## Residential Sliding & Folding Door Systems

### Product Overview

Straightaway 700SS is a bottom rolling sliding system. It is suited to applications such as patio doors and large internal and external sliding doors. It is a reliable and hardwearing system that can be used where there is not sufficient overhead support for a top hung system.

### Technical Specification

#### STRAIGHTAWAY 700



Article No.	Description	Image
442	Aluminium top channel for use with 44362 guides, available in 1.5, 1.8, 2.1, 2.4, 3.0, 3.6 and 6.0m lengths	
443	Brass top channel for use with 44362 guides, available in 1.8, 2.4 and 3.0m lengths	
444	Grade 304 stainless steel top channel for use with 44446 guide, available in 2.1 and 3.0m lengths	
661	Galvanised steel bottom track for use with 70402 rollers, available in 1.8, 2.1, 2.4 and 3.0m lengths	
64330	Brass bottom track 3.0m for use with 64402 rollers	
703	Brass bottom track for use with 70402 rollers, available in 1.8, 2.1, 2.4 and 3.0m lengths	
704	Grade 304 stainless steel bottom track for use with 70402 rollers, available in 2.4 and 3.0m lengths	
664	Grade 304 stainless steel bottom track for use with 74402 rollers, available in 1.1, 1.5, 2.1 and 3.0m lengths	
64402	Bottom roller for use with 643 track (pair)	
70402	Bottom roller for use with 661 and 704 tracks (pair)	
74402	Grade 316 stainless steel bottom roller for use with 664 track (pair)	
44362	Aluminium rattle proof top guides with brush welt for 442 and 443 top channel (pair)	
44446	Grade 316 stainless steel centre guide for use with 444 top channel	
95616	Rectangular flush pull, 52mm x 101mm, matt grey finish (For our full range of accessories see pages 96-97)	



For further information please contact us:  
 Tel: +44 (0)20 8545 6680 sales@coburn.co.uk www.coburn.co.uk

