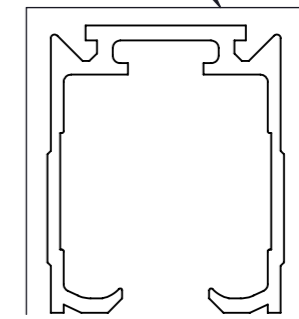


8 7 6 5 4 3 2 1

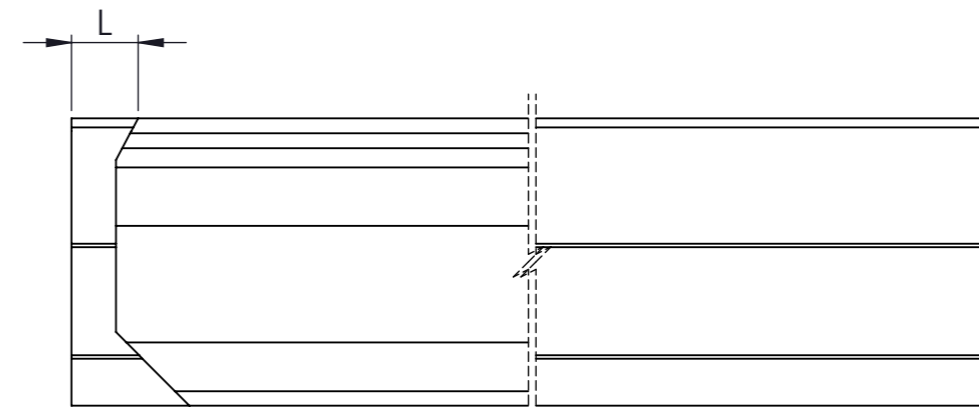
F

F

This line represents sides which will be covered with plastic tape



Scale 1:1



Scale 1:1

TABLE 1

	Part No.	Track length ( L )
1	12318	1800mm
2	12321	2100mm
3	12324	2400mm
4	12330	3000mm
5	12336	3600mm
6	12340	4000mm
7	12360	6000mm

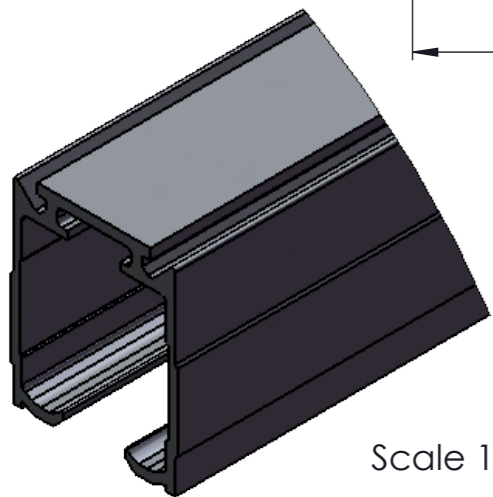
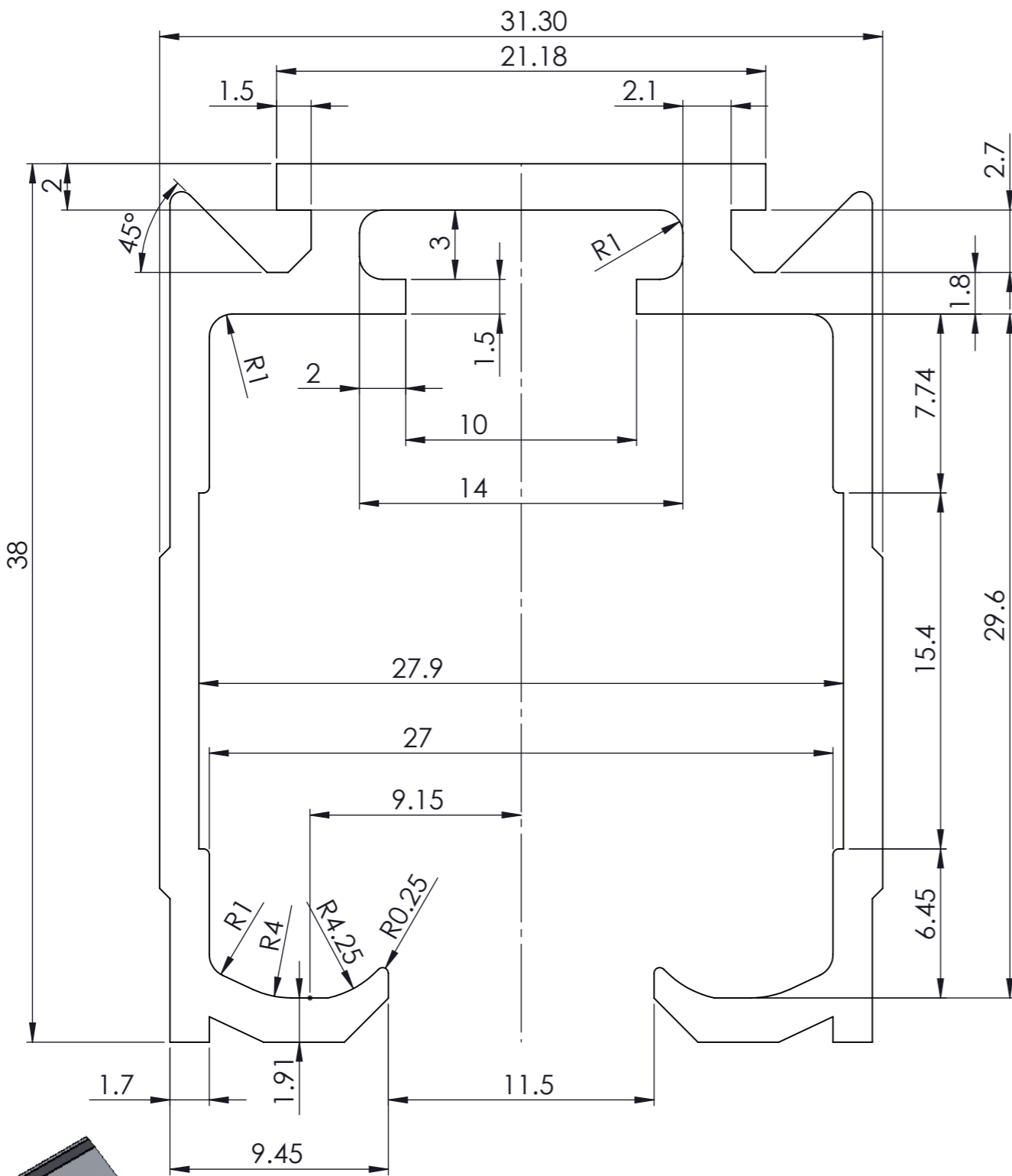
E

D

C

B

A



Scale 1:1

8 7 6 5 4 3 2 1

**COBURN SLIDING SYSTEMS LIMITED**  
Unit 1, Cardinal west,  
Godmanchester, PE29 2XN  
United Kingdom  
TEL: +44 (0)20 8545 6680  
FAX: +44 (0)20 8545 6720  
E-Mail: sales@coburn.co.uk  
Web: www.coburn.co.uk

**UNLESS OTHERWISE SPECIFIED:**  
**DIMENSION(mm) TOLERANCE**  
ZERO PL DECIMAL ±0.2  
ONE PL DECIMAL ±0.1  
TWO PL DECIMAL ±0.05  
ANGULAR TOLERANCE ±0.5°  
FORGING TOLERANCE SEE BS EN 10243  
ALL EDGES WILL BE ROUNDED WITH 0.2mm  
COMMENTS: IF IN DOUBT ASK!

MATERIAL  
Aluminium  
FINISH  
Silver Anodized AA15  
FIRST ANGLE PROJECTION

DRAWN by:  
Adrian BOGDAN  
DATE:  
05/07/2019  
CHECKED by:  
DATE:

DRAWING TYPE  
Final part drawing  
TITLE:  
1-23 Track  
SIZE  
A3  
DWG NO.  
See table 1  
REV.  
01  
SCALE: 4:1  
WEIGHT:  
SHEET 1 / 1

8 7 6 5 4 3 2 1