



Celantur 50

Wardrobe Door System



Product Overview

The Celantur 50 is a neat and stylish wardrobe sliding system that uses upper and lower tracks combined with smooth running rollers that enable the door to glide effortlessly in a single plane. The system is perfectly suited for light to medium weight wardrobe doors.

Features

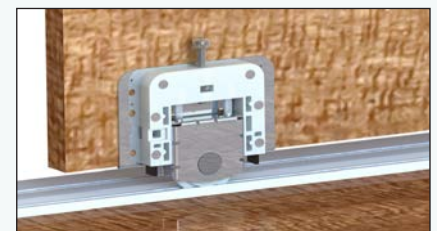
- Slim top and bottom aluminium tracks, supplied with bottom track cover
- Quick and easy installation
- Equipped with soft closing dampers as standard
- Soft closing dampers concealed in the track
- Variable door height adjustment
- Kits available for 2 and 3 sliding doors



Soft Closing Dampers



Soft Closing Dampers concealed in the track



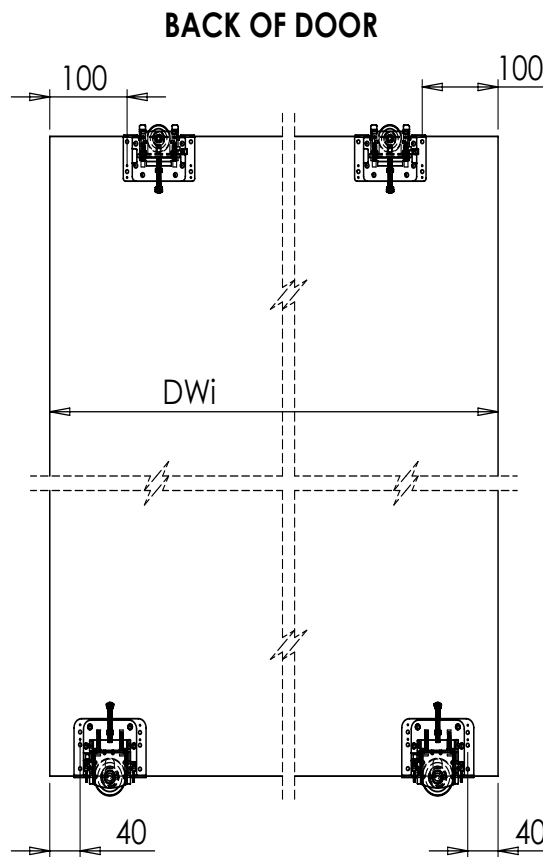
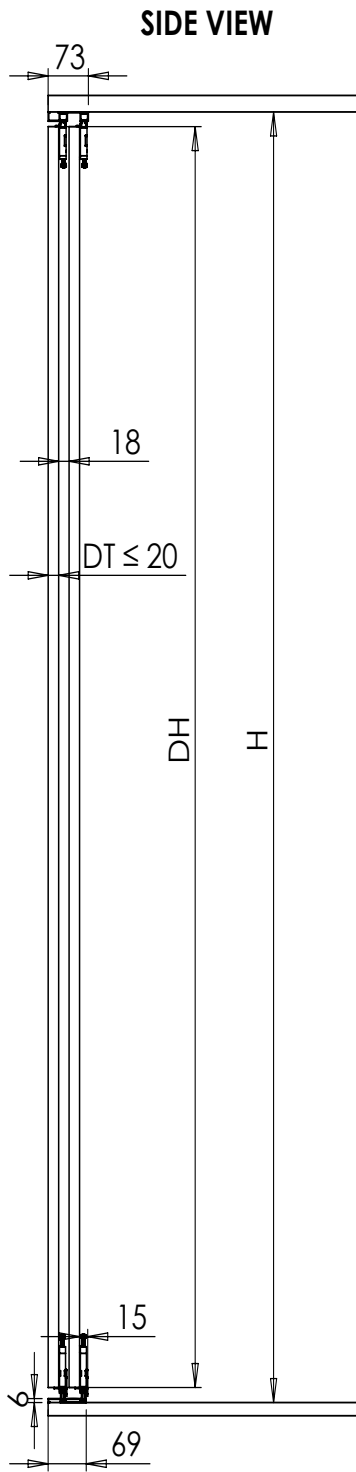
Bottom Track and Bottom Roller



Top Track and Top Roller

Technical Specification

- Maximum Door Weight: 50kg
- Door Thickness: 14 - 20mm
- Maximum Door Height: 2700mm



Maximum Door Weight - 50kg

DH - Door Height, Maximum 2700mm
 DWi - Door Width (2 Door) = $\frac{OW - 2F}{2} + 10$

DWi - Door Width (3 Door) = $\frac{OW - 2F}{3} + 10$

DT - Door Thickness, between 14mm and 20mm

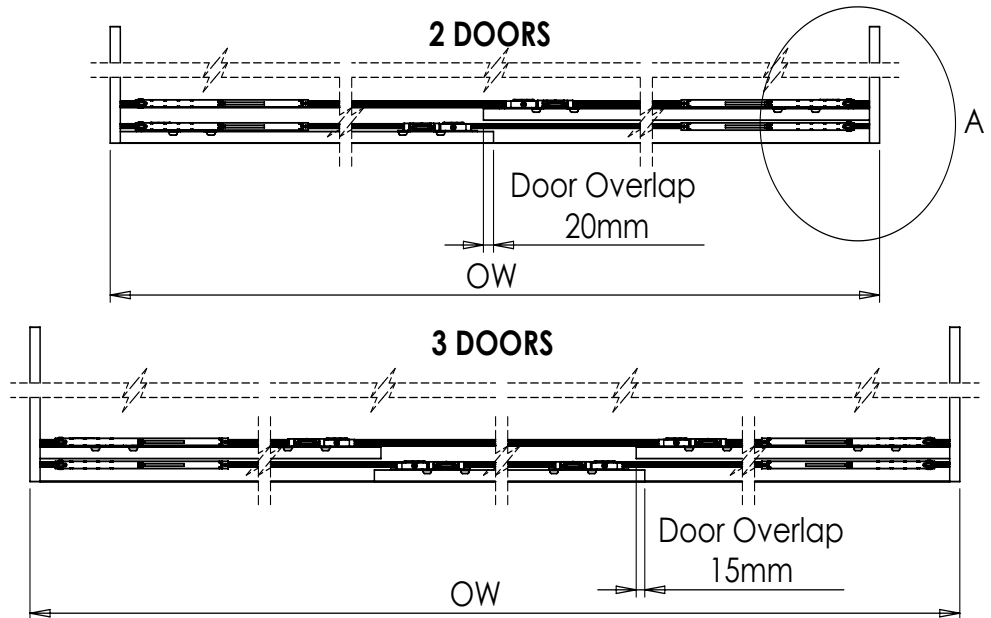
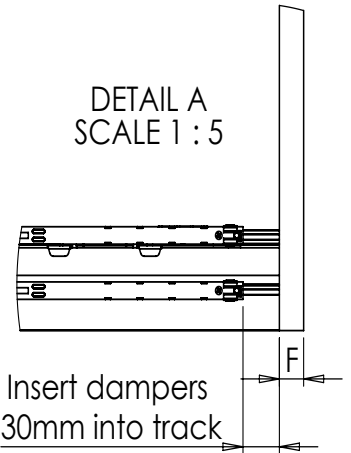
OW - Opening Width

H - Inside Height of Wardrobe

DH = H - 32

F - Thickness of Side Panel

DETAIL A
SCALE 1 : 5



For further information on our products and services:

Tel: + 44 (0)20 8545 6680, sales@coburn.co.uk, www.coburn.co.uk

Coburn Sliding Systems Ltd.

Unit 1, Cardinal West, Cardinal Way, Cardinal Distribution Park.

Godmanchester, Huntingdon, Cambridgeshire, PE29 2XN United Kingdom.

