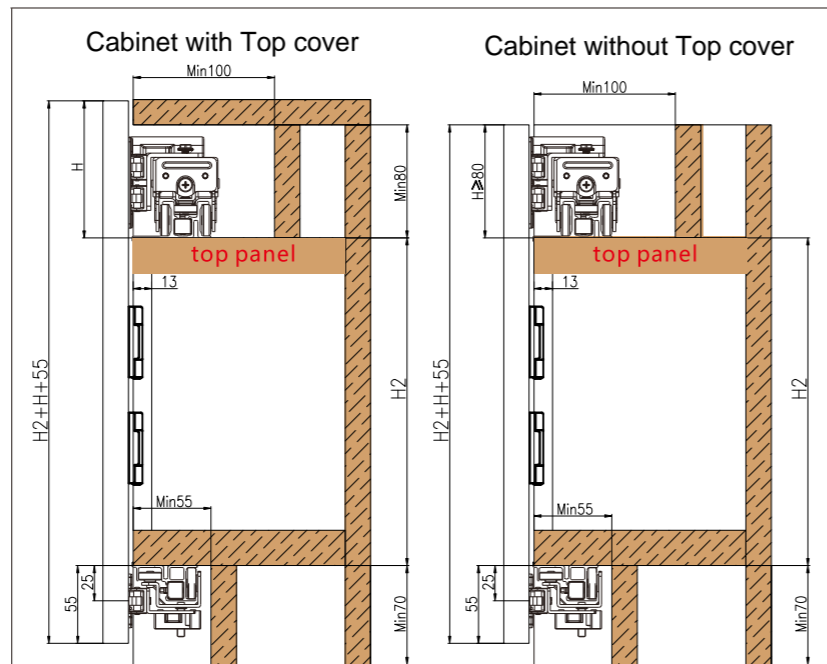
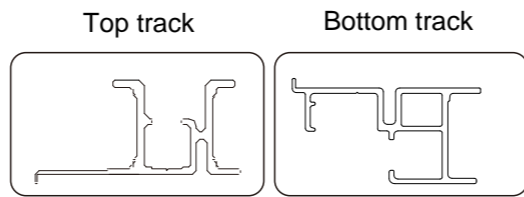


CELANTUR FOLDING WARDROBE

Fitting Instructions

Accessories	Qty	Accessories	Qty
Top left roller	1	Top right roller	1
Bottom left guide	1	Bottom right guide	1
Hinge	4	Template	1
8mm Spanner	1	Damper	2
2mm Allen key	1	4 x 16 Wood screw	46

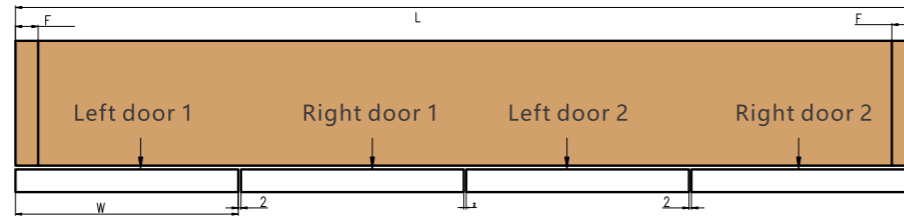
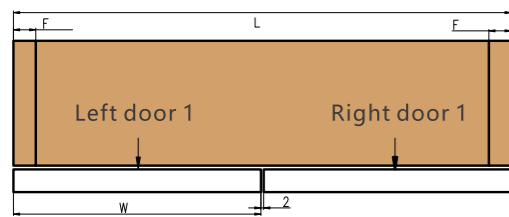


1. Installation Dimensions

Single door width: 300 - 600mm;
Single door loading capacity: 20kgs; Single door thickness: ≥ 16mm

Door Height $DH = H2 + H + 55$
 $n = \text{no of doors}$

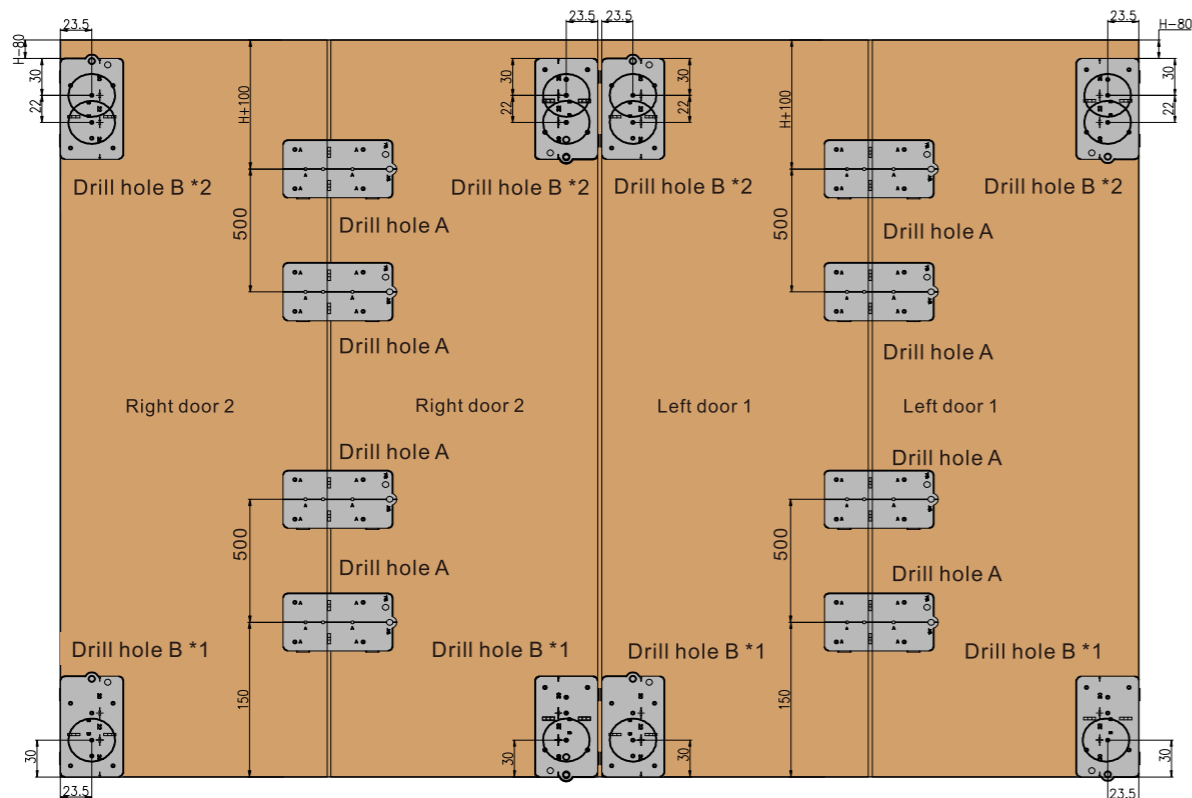
Door width $W = \frac{L-2n+2}{n}$
 $F = \text{Side Panel (Min 18mm)}$



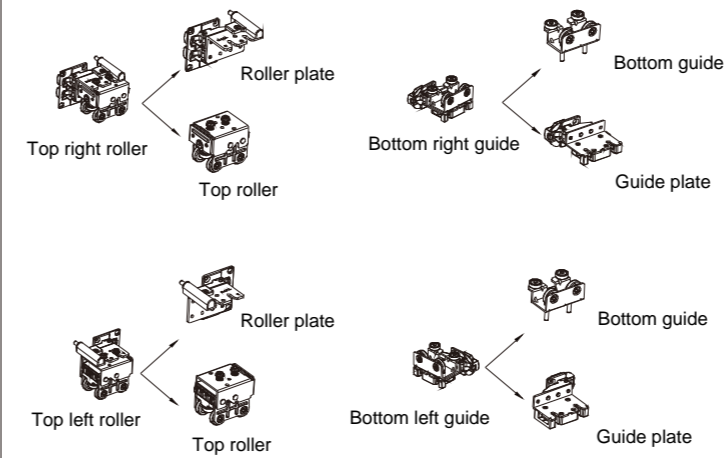
2. Door Preparation Drilling dimensions

Hole A: Hinge hole with dia 2.5mm depth 0-2mm

Hole B: Roller plate cut out with dia 35mm depth 12mm

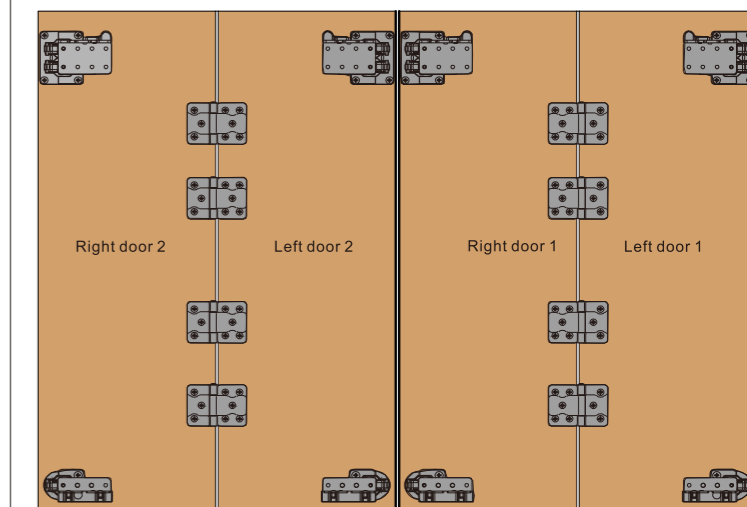


3. Separate rollers and plates



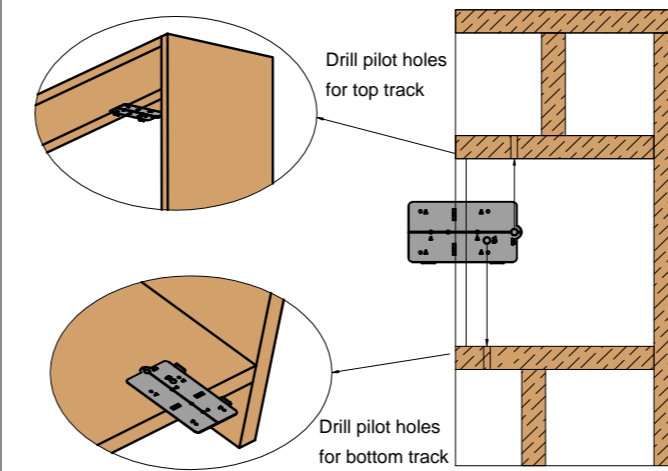
4. Install hinges and plates

Hinges should be screwed as per below picture

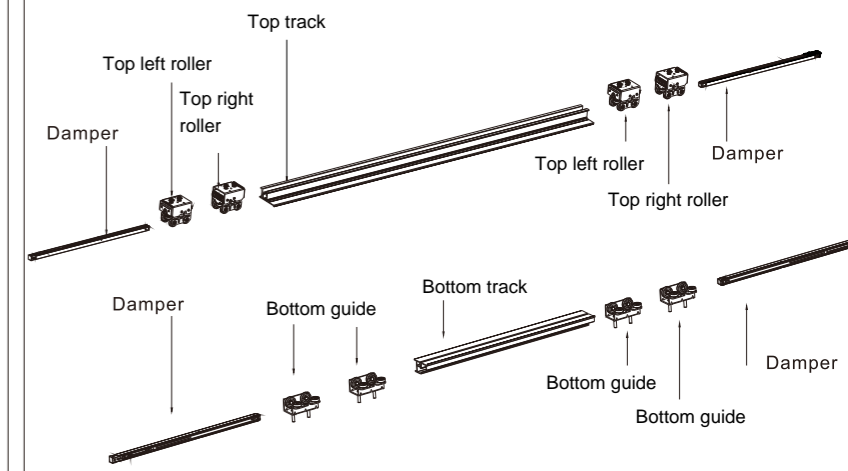


5. Drill pilot holes dia 5mm

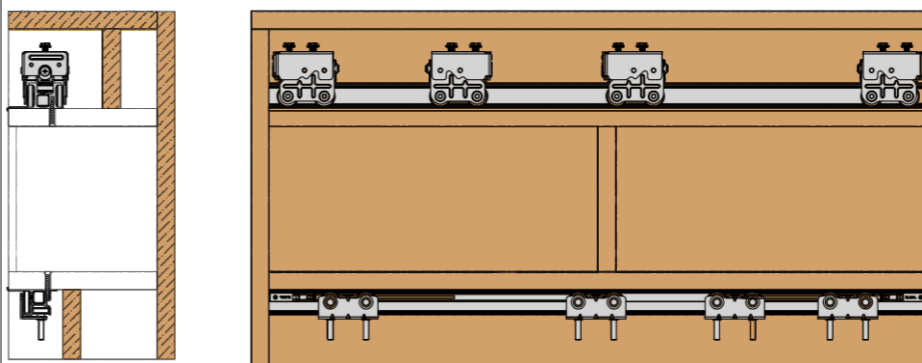
Use template to drill holes for tracks



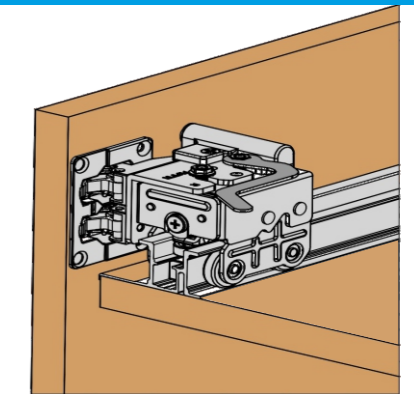
6. Insert parts as per the direction shown below in the tracks



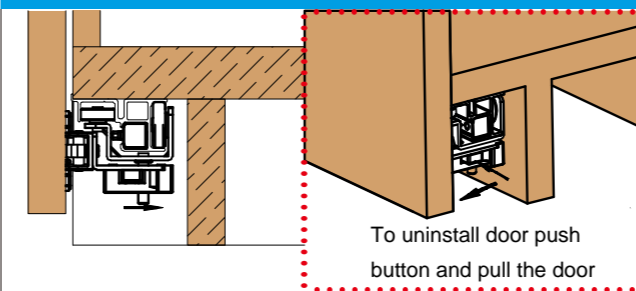
7. Fix top and bottom tracks



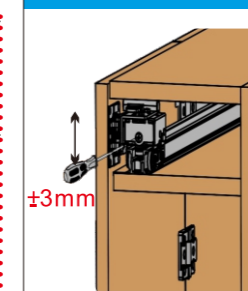
8. Insert roller plates in the rollers and tighten screws



9. Push the button and insert guide plates in the guides



10. Door adjustment



11. Fix dampers

