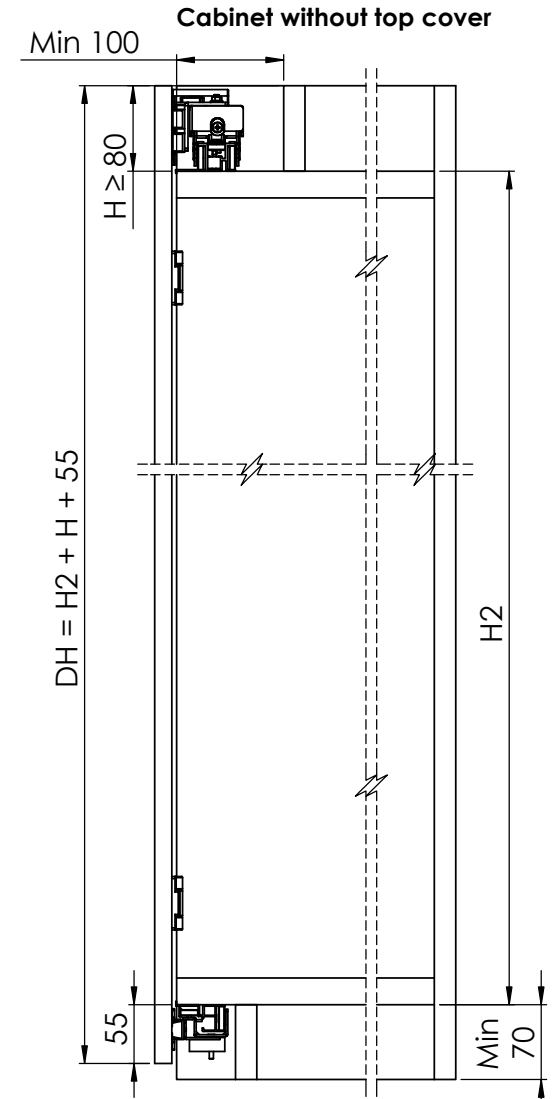
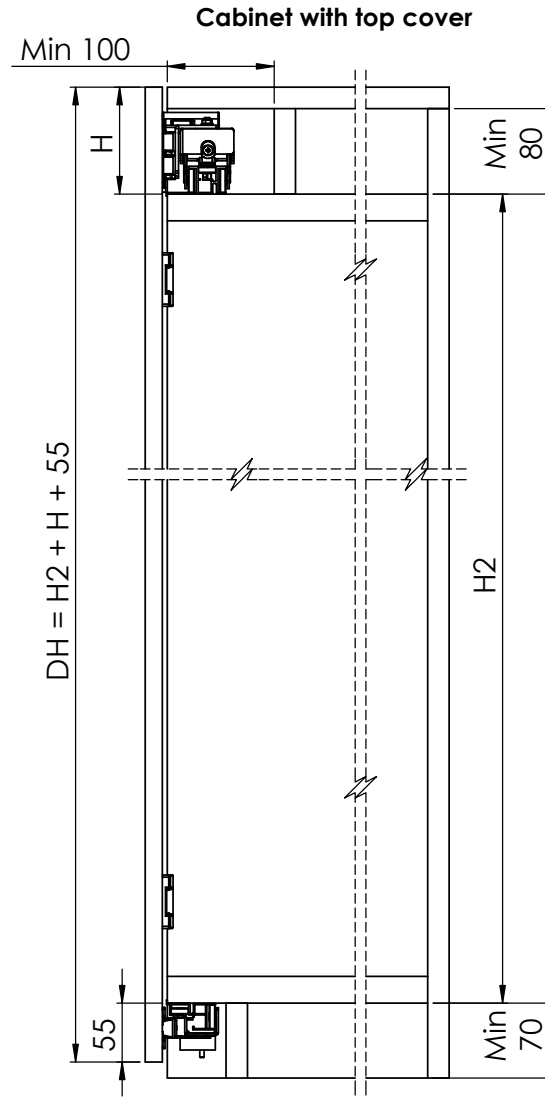
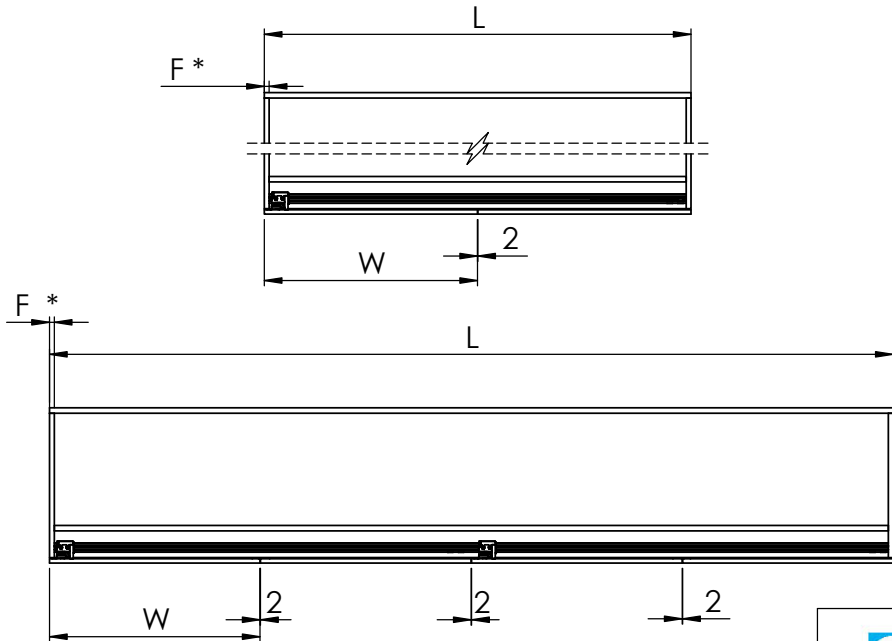
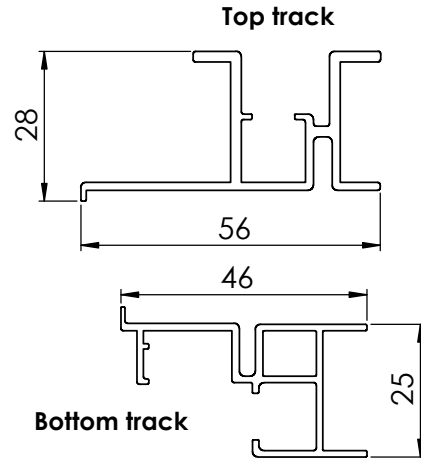


Maximum Door Height - 3000mm
 DH - Door Height, $DH = H2 + H + 55$

Maximum Door Weight - 20kg

W = Door Width, $W = \frac{L - 2n + 2}{4}$

F = Thickness of Side Panel
 * Min = 18mm (recommended)



COBURN SLIDING SYSTEMS LIMITED
 Unit 1, Cardinal way, Cardinal west,
 Godmanchester, PE29 2XN, UK
 TEL: +44 (0)20 8545 6680
 FAX: +44 (0)20 8545 6720
 E-Mail: sales@coburn.co.uk
 Web: www.coburn.co.uk

© COPYRIGHT COBURN SLIDING SYSTEMS LIMITED

THE INFORMATION CONTAINED IN THIS DRAWING IS THE
 SOLE PROPERTY OF COBURN SLIDING SYSTEMS LIMITED. ANY
 REPRODUCTION IN PART OR AS A WHOLE WITHOUT THE WRITTEN
 PERMISSION OF COBURN SLIDING SYSTEMS LIMITED IS PROHIBITED.

MATERIAL

FINISH

UNLESS OTHERWISE SPECIFIED:

DIMENSION (mm) TOLERANCE

ZERO PL DECIMAL ±0.2

ONE PL DECIMAL ±0.1

TWO PL DECIMAL ±0.05

ANGULAR TOLERANCE ±0.5°

FORGING TOLERANCE SEE BS 4114

ALL EDGES WILL BE ROUNDED WITH 0.2mm

COMMENTS:

IF IN DOUBT ASK!

DRAWN

S.B

CHECKED

M.S

DATE

04/02/2020

DATE

04/02/2020

DIMENSIONS ARE IN mm

DO NOT SCALE DRAWING

FILE DRG. No.

TITLE:

**Celantur Folding Wardrobe
 Section drawing**

SIZE

A4

DRG/PART. No.

89624 / 86936/ 89701

REV

01

SCALE: 2:1

WEIGHT:

SHEET: 1/1