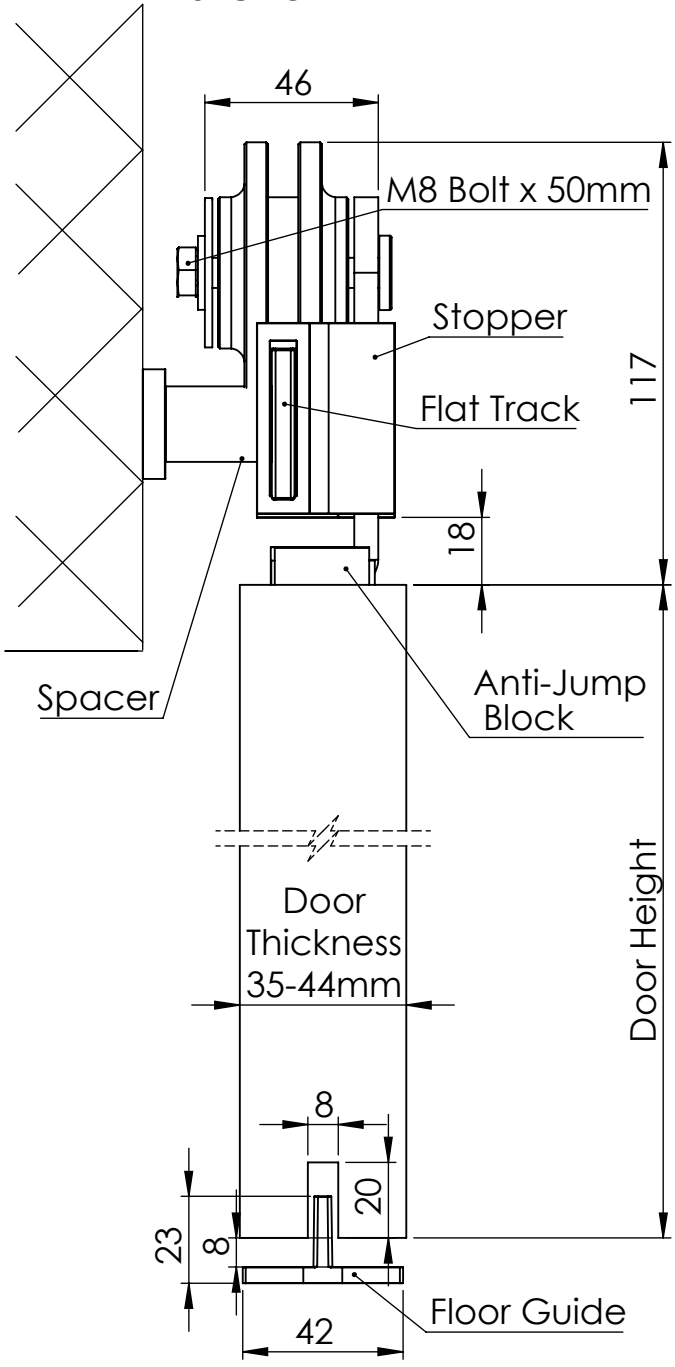
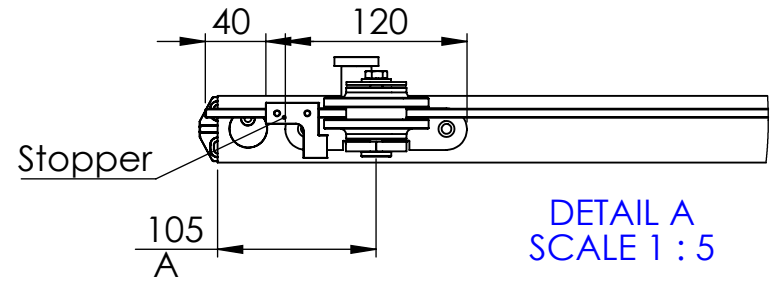


SECTION VIEW



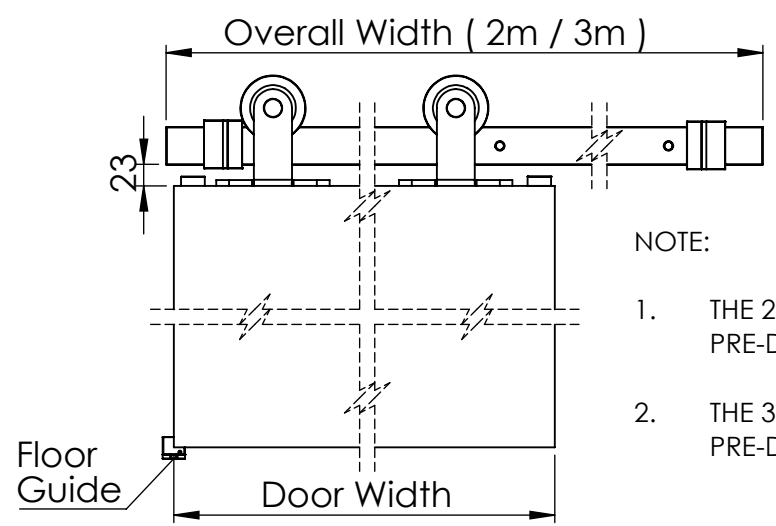
TOP VIEW



FLAT TRACK



FRONT VIEW



- NOTE:
1. THE 2m TRACK HAS 5 PRE-DRILLED HOLES.
 2. THE 3m TRACK HAS 7 PRE-DRILLED HOLES.

UNLESS OTHERWISE SPECIFIED:

DIMENSION(mm)	TOLERANCE
ZERO PL DECIMAL	±0.2
ONE PL DECIMAL	±0.1
TWO PL DECIMAL	±0.05

ANGULAR TOLERANCE ±0.5°
 FORGING TOLERANCE SEE BS 4114

- KIT NUMBERS**
- 41047 (BLACK 2m)
 - 41048 (BLACK 3m)
 - 41049 (SS 2m)
 - 41050 (SS 3m)



HILLALDAM COBURN LTD
 UNIT 16, MERTON INDUSTRIAL PK
 LEE ROAD, LONDON
 SW19 3HX, ENGLAND
 TEL: +44 (0)20 8545 6680
 FAX: +44 (0)20 8545 6723
 e-mail: sales@hillaldam.co.uk
 www.coburn.co.uk

COPYRIGHT HILLALDAM COBURN LTD ©
 THE INFORMATION CONTAINED IN THIS DRAWING IS THE SOLE PROPERTY OF <HILLALDAM COBURN LTD>. ANY REPRODUCTION IN PART OR AS A WHOLE WITHOUT THE WRITTEN PERMISSION OF <HILLALDAM COBURN LTD> IS PROHIBITED.

TITLE	
Flat track 100 - Top Mount Hanger Kit (2m)	
MATERIAL	
CARBON STEEL / SS	
FINISH	
BLACK / SS (BRUSHED)	
DRAWN	DATE
Z.DG	08/12/2017
CHECKED	DATE
M.S	02/01/2018
SCALE:N/A	SIZE: A4
SHEET:1/1	
DRG/PART. No.	ISSUE
41047 / 48 / 49 / 50	01