



UNLESS OTHERWISE SPECIFIED:

DIMENSION(mm)	TOLERANCE
ZERO PL DECIMAL	±0.2
ONE PL DECIMAL	±0.1
TWO PL DECIMAL	±0.05

ANGULAR TOLERANCE ±0.5°

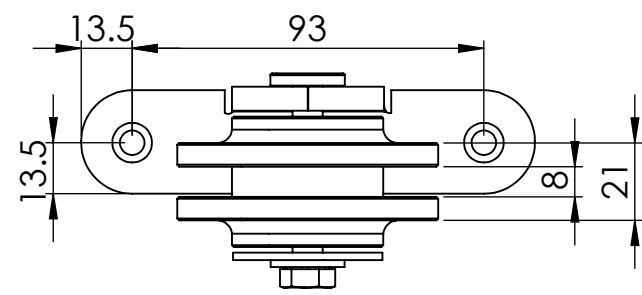
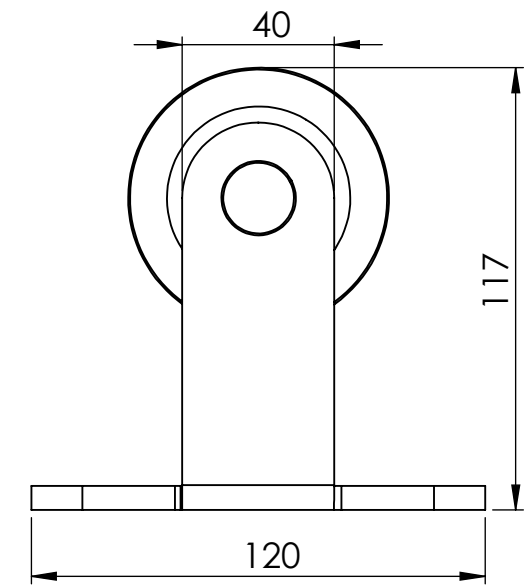
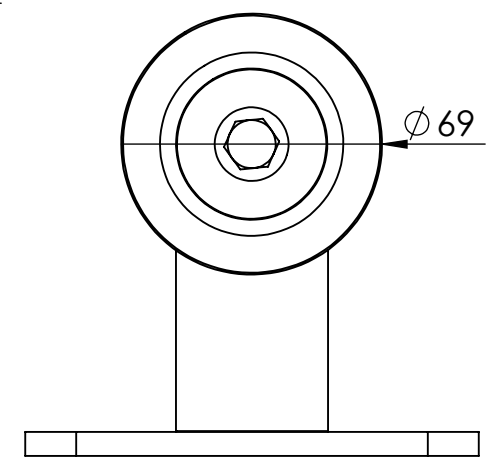
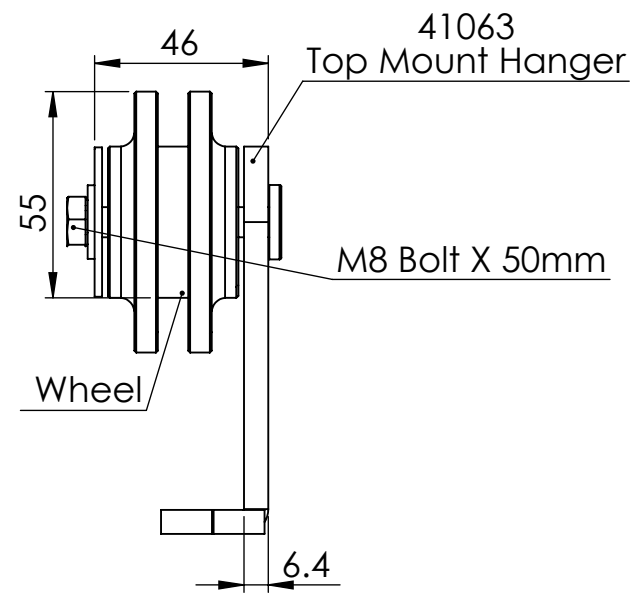
FORGING TOLERANCE SEE BS 4114

HANGER NUMBER
 41063 (BLACK)
 41064 (SS)



HILLALDAM COBURN LTD
 UNIT 16, MERTON INDUSTRIAL PK
 LEE ROAD, LONDON
 SW19 3HX, ENGLAND
 TEL: +44 (0)20 8545 6680
 FAX: +44 (0)20 8545 6723
 e-mail: sales@hillaldam.co.uk
 www.coburn.co.uk
 COPYRIGHT HILLALDAM COBURN LTD ©

THE INFORMATION CONTAINED IN THIS DRAWING IS THE SOLE PROPERTY OF <HILLALDAM COBURN LTD>. ANY REPRODUCTION IN PART OR AS A WHOLE WITHOUT THE WRITTEN PERMISSION OF <HILLALDAM COBURN LTD> IS PROHIBITED.



TITLE		
Top Mount Hanger - Assembly		
MATERIAL		
CARBON STEEL / SS		
FINISH		
BLACK / SS		
DRAWN	DATE	
Z.DG	08/12/2017	
CHECKED	DATE	
M.S	02/01/2018	
SCALE:1:2	SIZE: A4	SHEET:1/1
DRG/PART. No.	ISSUE	
41063 / 64	01	