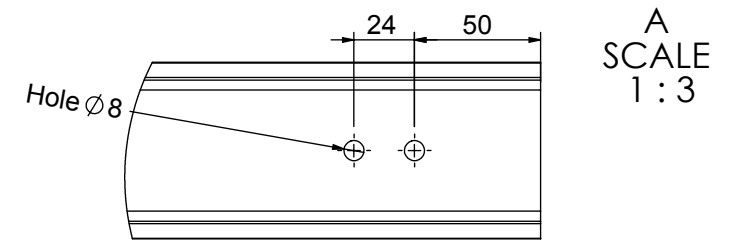
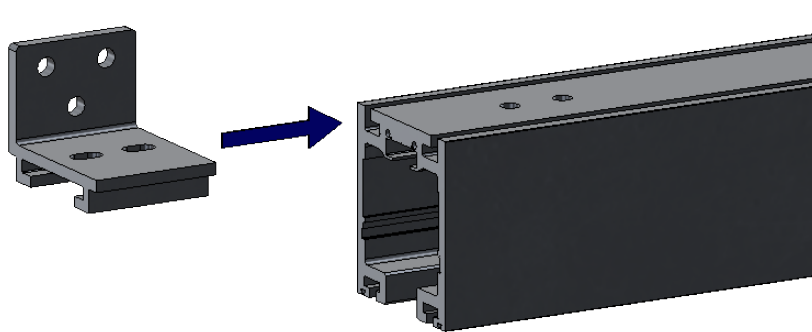
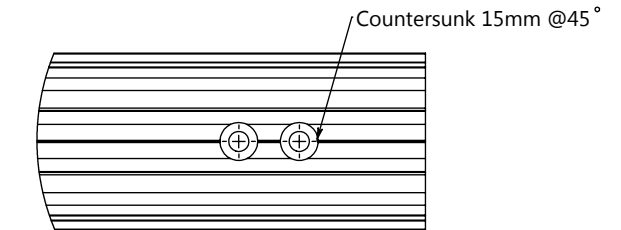


Sr no	Track Length	No of Brackets	No of holes	Pitch (A)
1	3000mm	6	12	551mm
2	4000mm	8	16	530mm
3	6000mm	12	24	510mm

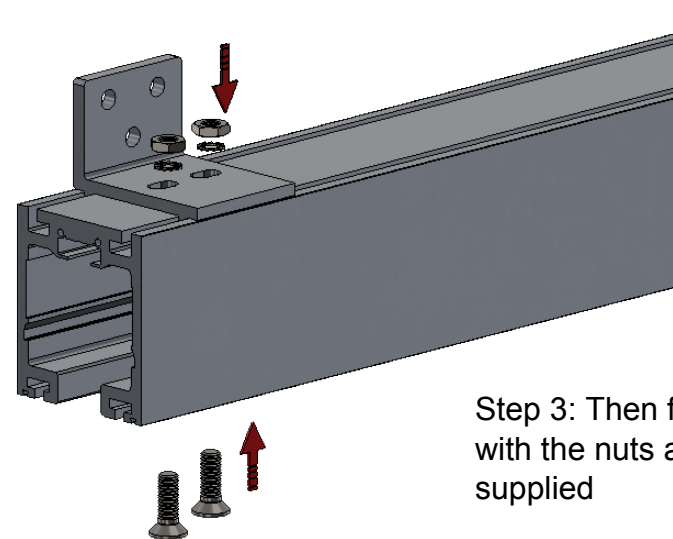


A
SCALE
1 : 3

Step 1: Prepare the track by drilling and countersunk the holes



Step 2: Slide Brackets into the aluminium track



Step 3: Then fix the brackets with the nuts and bolts supplied