



Straightaway 600

Straight & Folding Door Systems



Product Overview

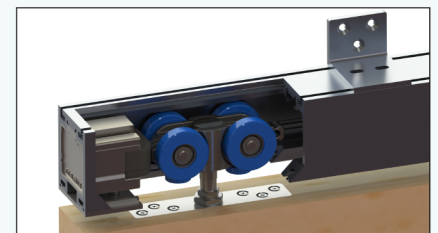
The Straightaway 600 is a high calibre, heavy duty top hung system. The system is designed for interior and exterior sliding doors, with a max door weight of up to 600kg.

Features

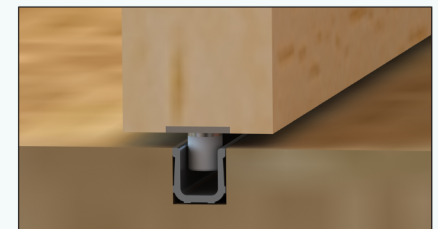
- Variable height adjustment
- Available in Stainless Steel 304
- Requires minimal maintenance
- Soffit fixed or wall mounted
- Smooth and silent operation

Technical Specification

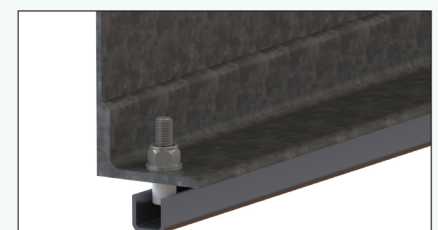
- Maximum Door Weight: 600kg
- Door Thickness: 35 - 65mm
- Maximum Door Height: 6000mm
- Track Dimensions: 70mm (w) x 78mm (h)



Wall Fixed track, with hanger



Floor mounted guide for timber doors

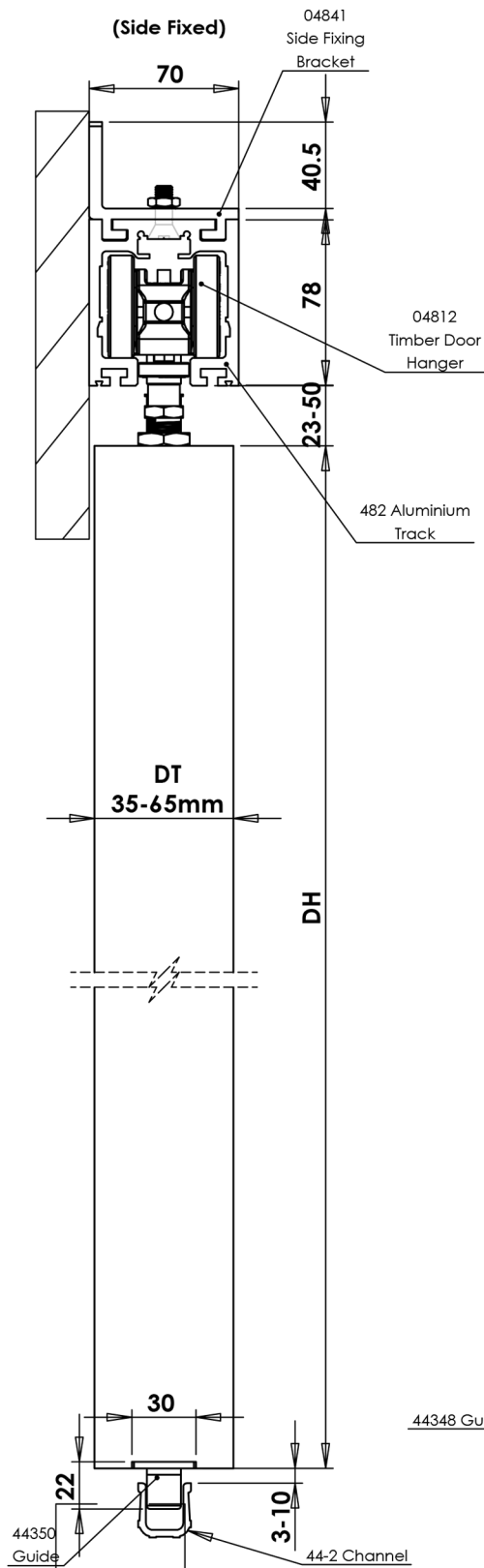


Guide and channel for metal doors



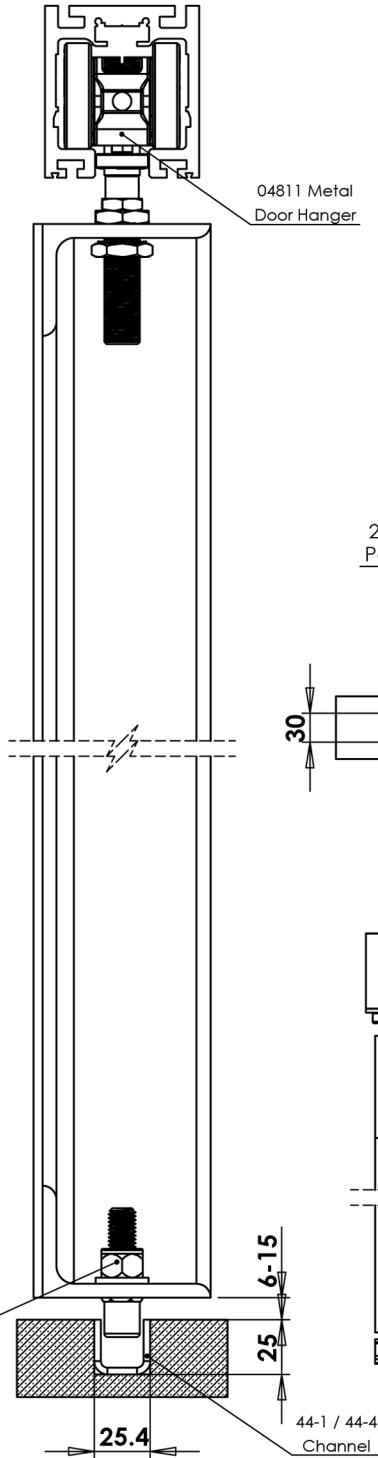
Section View
Timber Door

(Side Fixed)



Section View
Metal Door

(Soffit Fixed)



Maximum Door Weight 600kg

DH - Door Height

DWi - Door Width

DT - Door Thickness,
For Timber Doors, between 35mm and 65mm

The Door Thickness
can be increased to
achieve between
35-100mm when
using a 20mm
packer.

Note: Packer not
supplied by Coburn



For further information on our products and services:
Tel: + 44 (0)20 8545 6680, sales@coburn.co.uk, www.coburn.co.uk

Coburn Sliding Systems Ltd.
Unit 1, Cardinal West, Cardinal Way, Cardinal Distribution Park.
Godmanchester, Huntingdon, Cambridgeshire, PE29 2XN United Kingdom.

