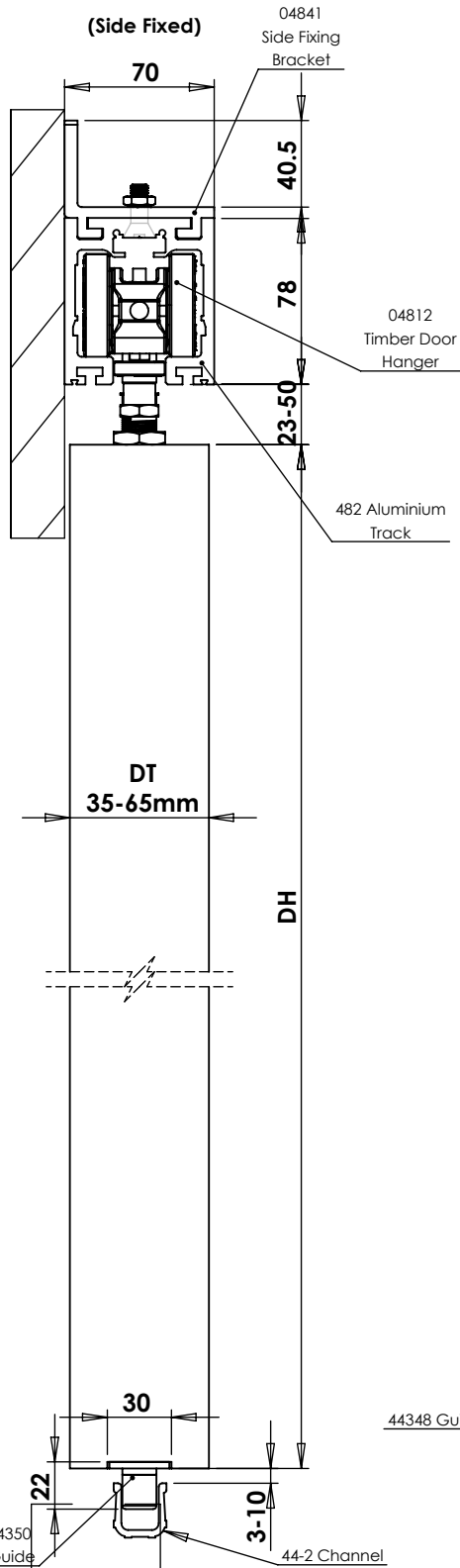


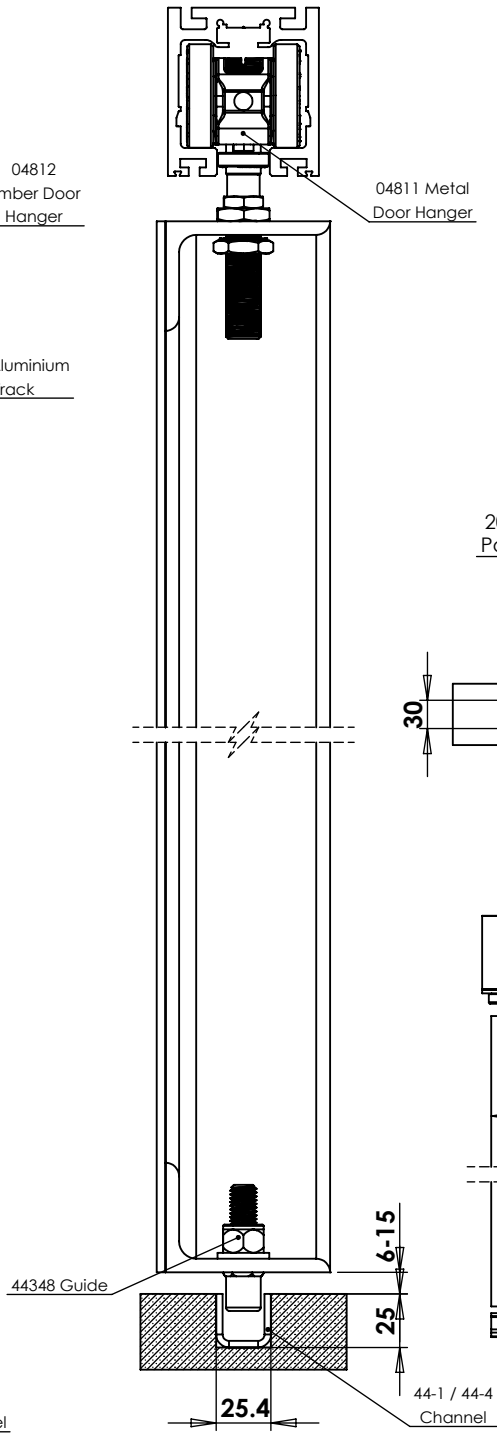
**Section View
Timber Door**

(Side Fixed)



**Section View
Metal Door**

(Soffit Fixed)

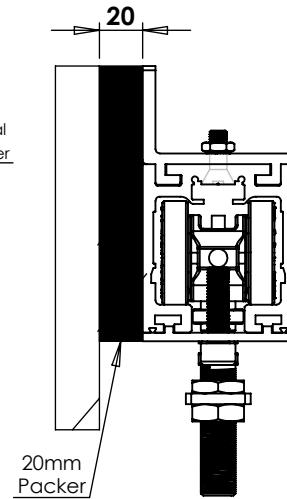


Maximum Door Weight 600kg

DH - Door Height

DWi - Door Width

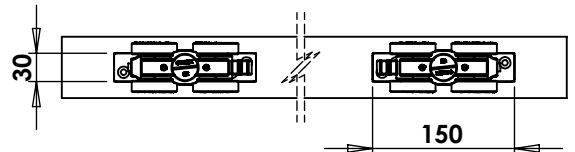
DT - Door Thickness,
For Timber Doors, between 35mm and 65mm



The Door Thickness can be increased to achieve between 35-100mm when using a 20mm packer.

Note: Packer not supplied by Coburn

Top View



Front View

