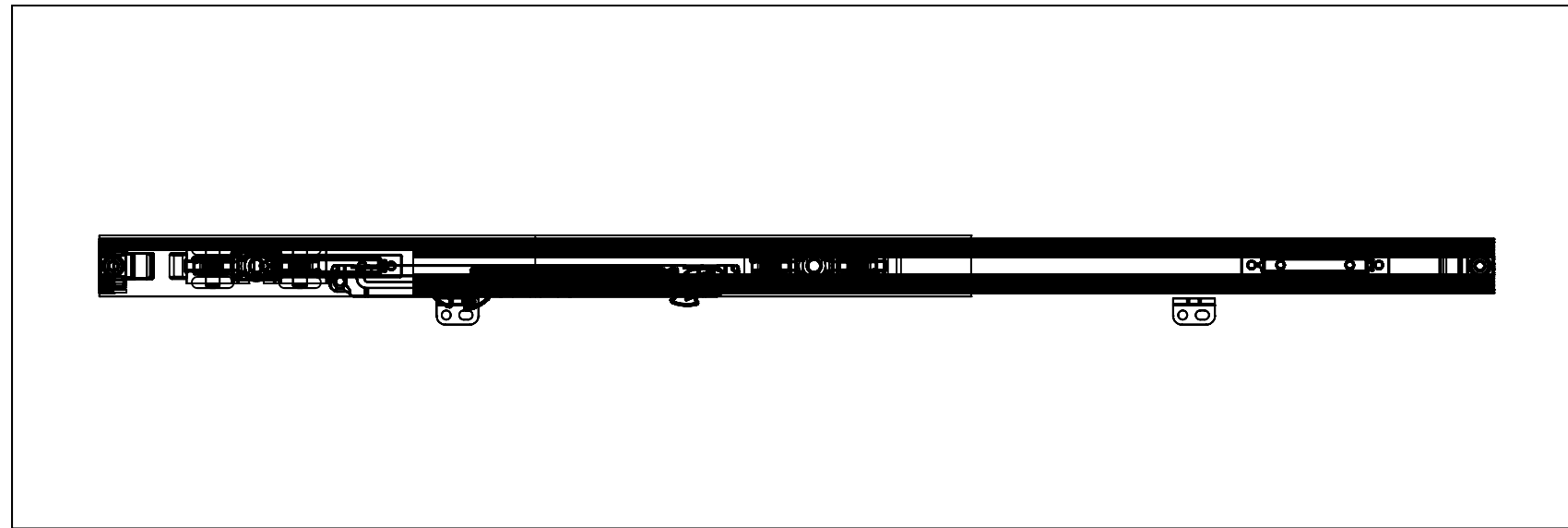
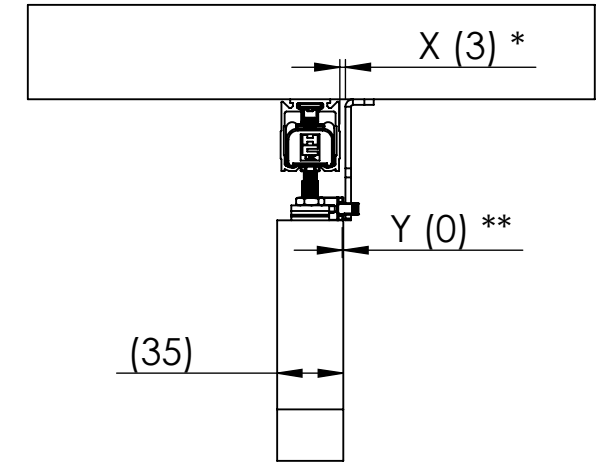
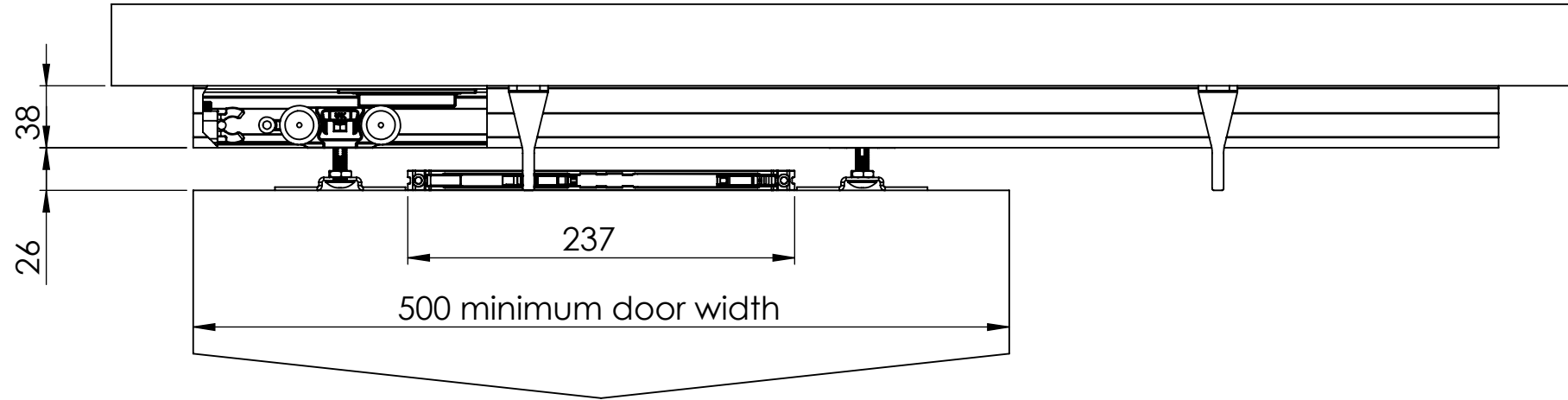


Scale: 1:4



\* X = gap b/w track and actuator  
 \*\* Y = gap between damper and door edge  
 (note: damper fixed flush except if door is 20mm)

Door	X (mm)	Y (mm)
20	0	3
25	0	0
30	0	0
35	3	0
40	6	0
45	9	0
50	12	0

**COBURN**  
SLIDING SYSTEMS

COBURN SLIDING SYSTEMS LTD  
 UNIT 1, CARDINAL WEST  
 CARDINAL WAY, GODMANCHESTER  
 PE29 7BJ,  
 UK  
 TEL:+44 (02)0 8545 6680 FAX:+44 (02)0 8545 6723  
 E-Mail:sales@coburn.co.uk  
 Web:www.coburn.co.uk  
 © COPYRIGHT COBURN SLIDING SYSTEMS LTD

THE INFORMATION CONTAINED IN THIS DRAWING IS THE SOLE PROPERTY OF <COBURN SLIDING SYSTEMS LTD>. ANY REPRODUCTION IN PART OR AS A WHOLE WITHOUT THE WRITTEN PERMISSION OF <COBURN SLIDING SYSTEMS LTD> IS PROHIBITED.

MATERIAL

FINISH

UNLESS OTHERWISE SPECIFIED:

**DIMENSION(mm) TOLERANCE**  
 ZERO PL DECIMAL ±0.2  
 ONE PL DECIMAL ±0.1  
 TWO PL DECIMAL ±0.05

ANGULAR TOLERANCE ±0.5°

FORGING TOLERANCE SEE BS 4114

COMMENTS: REMOVE ALL SHARP EDGES AND BURRS

DRAWN DATE  
 MUS 21.01.2020

CHECKED DATE

DIMENSIONS ARE IN mm  
 DO NOT SCALE DRAWING

FILE DRG. No.

TITLE:  
**Softcloser ST-100**

SIZE	DRG/PART. No.	REV
A4	30651 -52-53	01

SCALE: NTS WEIGHT: SHEET: 1/1