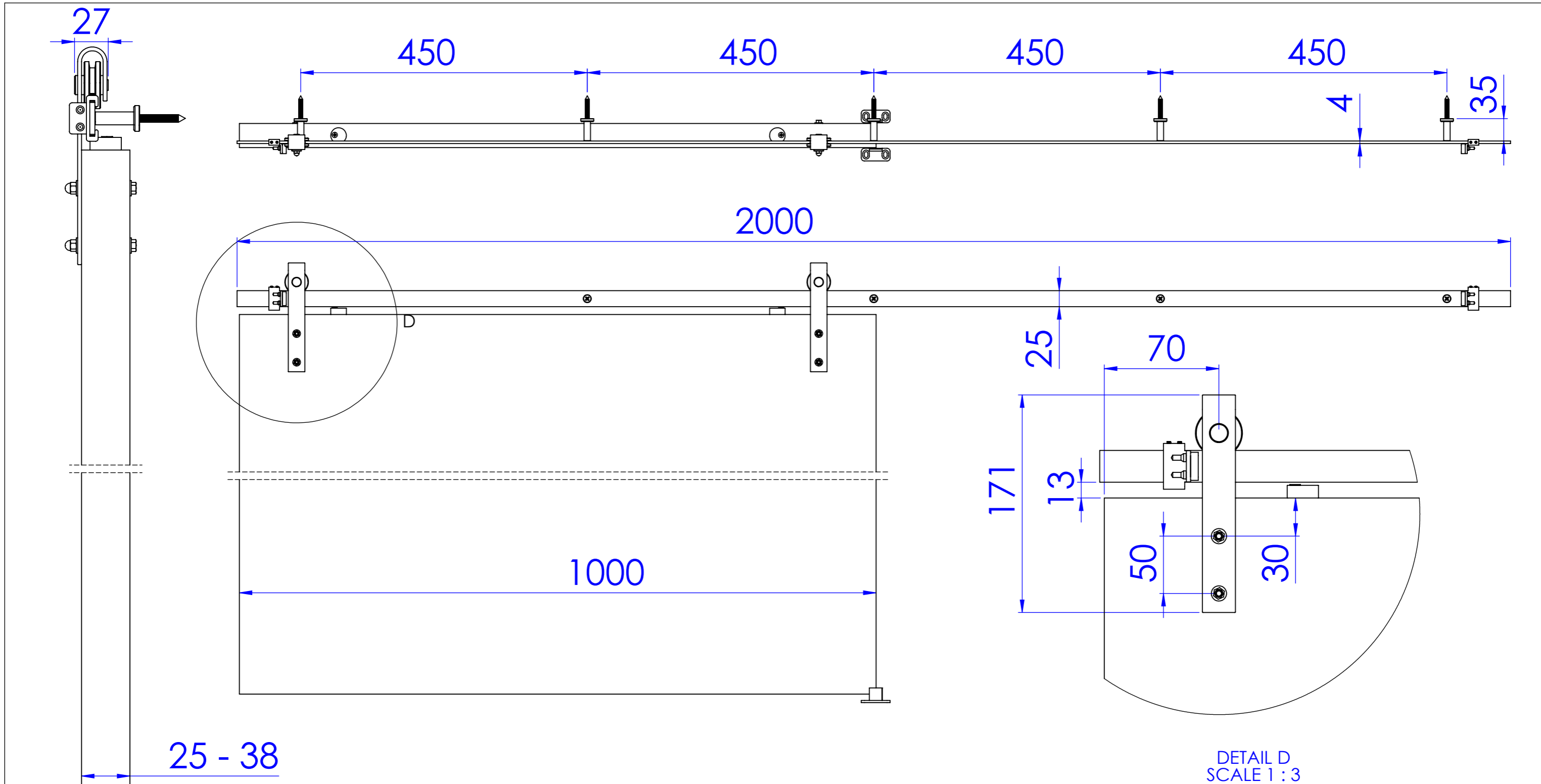


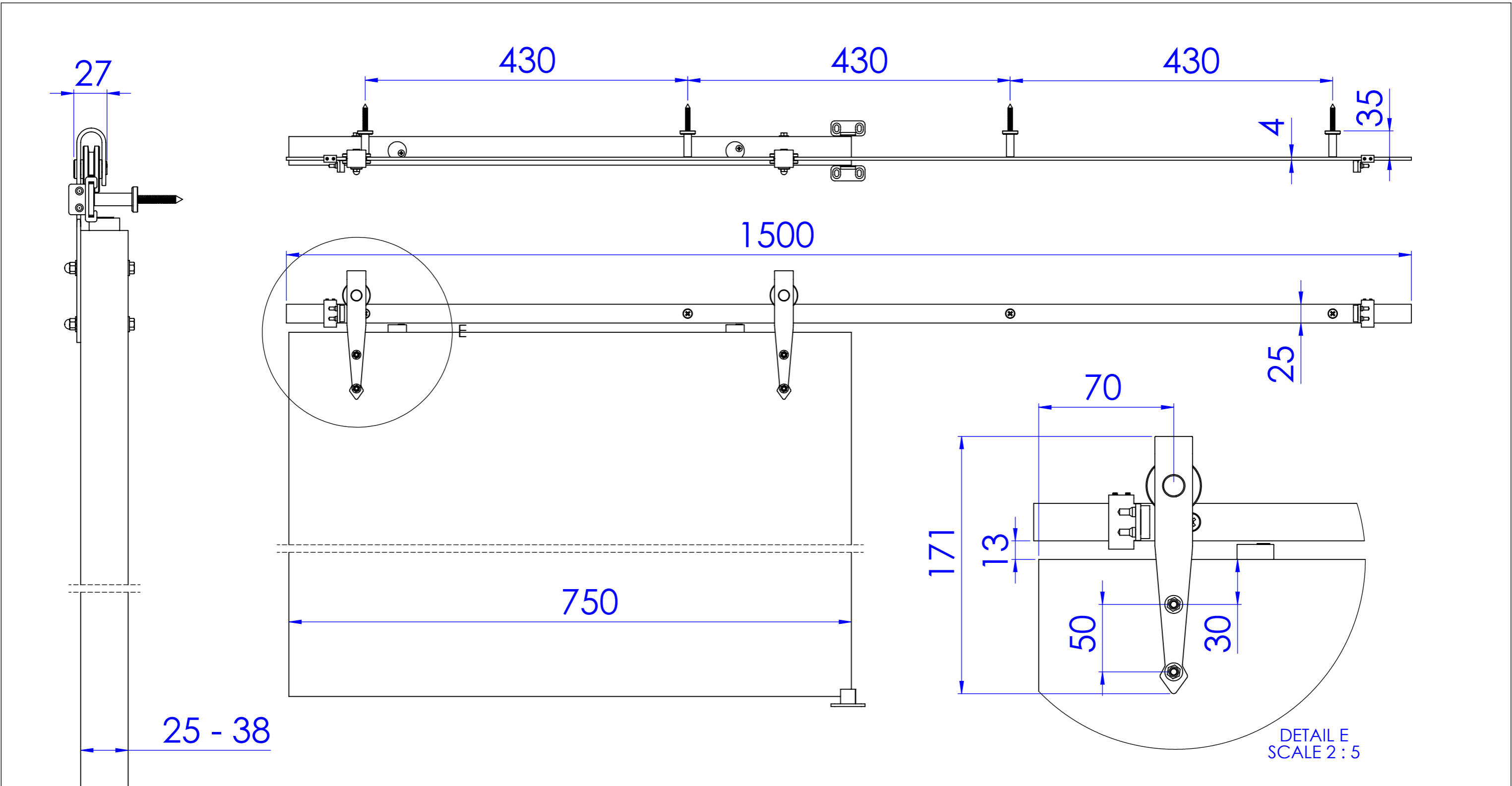
DETAIL C
SCALE 2 : 7.5

<p>COBURN SLIDING SYSTEMS LIMITED Unit 1, Cardinal way, Cardinal west, Godmanchester, PE29 2XN, UK</p> <p>TEL: +44 (0)20 8545 6680 FAX: +44 (0)20 8545 6720 E-Mail: sales@coburn.co.uk Web: www.coburn.co.uk</p> <p>© COPYRIGHT COBURN SLIDING SYSTEMS LIMITED</p> <p><small>THE INFORMATION CONTAINED IN THIS DRAWING IS THE SOLE PROPERTY OF <COBURN SLIDING SYSTEMS LIMITED>. ANY REPRODUCTION IN PART OR AS A WHOLE WITHOUT THE WRITTEN PERMISSION OF <COBURN SLIDING SYSTEMS LIMITED> IS PROHIBITED.</small></p>	<p>MATERIAL</p> <p>Carbon Steel</p>	<p>UNLESS OTHERWISE SPECIFIED:</p> <p>DIMENSION(mm) TOLERANCE ZERO PL DECIMAL ±0.2 ONE PL DECIMAL ±0.1 TWO PL DECIMAL ±0.05</p> <p>ANGULAR TOLERANCE ±0.5°</p> <p>FORGING TOLERANCE SEE BS 4114</p> <p>ALL EDGES WILL BE ROUNDED WITH 0.2mm</p> <p>COMMENTS:</p> <p>IF IN DOUBT ASK!</p>	<p>DRAWN</p> <p>S.B</p>	<p>DATE</p> <p>05/03/2020</p>	<p>FILE DRG. No.</p>
	<p>FINISH</p> <p>Black Powder Coating</p>	<p>CHECKED</p> <p>M.S</p>	<p>DATE</p> <p>05/03/2020</p>	<p>TITLE:</p> <p>Flat Track Mini Straight Hanger 1.5m Kit</p>	
			<p>⊕</p> <p>DIMENSIONS ARE IN mm DO NOT SCALE DRAWING</p>	<p>SIZE</p> <p>A4</p>	<p>DRG/PART. No.</p> <p>41151</p>
			<p>REV</p> <p>01</p>	<p>SCALE: 2:1</p>	<p>WEIGHT:</p>
					<p>SHEET: 1/1</p>



DETAIL D
SCALE 1 : 3

<p>COBURN SLIDING SYSTEMS LIMITED Unit 1, Cardinal way, Cardinal west, Godmanchester, PE29 2XN, UK</p> <p>TEL: +44 (0)20 8545 6680 FAX: +44 (0)20 8545 6720 E-Mail: sales@coburn.co.uk Web: www.coburn.co.uk</p> <p>© COPYRIGHT COBURN SLIDING SYSTEMS LIMITED</p> <p><small>THE INFORMATION CONTAINED IN THIS DRAWING IS THE SOLE PROPERTY OF <COBURN SLIDING SYSTEMS LIMITED>. ANY REPRODUCTION IN PART OR AS A WHOLE WITHOUT THE WRITTEN PERMISSION OF <COBURN SLIDING SYSTEMS LIMITED> IS PROHIBITED.</small></p>	MATERIAL	UNLESS OTHERWISE SPECIFIED:	DRAWN	DATE	FILE DRG. No.		
	Carbon Steel	DIMENSION(mm) TOLERANCE ZERO PL DECIMAL ±0.2 ONE PL DECIMAL ±0.1 TWO PL DECIMAL ±0.05 ANGULAR TOLERANCE ±0.5° FORGING TOLERANCE SEE BS 4114	S.B	05/03/2020	TITLE:		
	FINISH	ALL EDGES WILL BE ROUNDED WITH 0.2mm	CHECKED	DATE	Flat Track Mini Straight Hanger 2.0m Kit		
	Black Powder Coating	COMMENTS: IF IN DOUBT ASK!	M.S	05/03/2020	SIZE	DRG/PART. No.	REV
			DIMENSIONS ARE IN mm DO NOT SCALE DRAWING		A4	41152	01
					SCALE: 2:1	WEIGHT:	SHEET: 1/1



DETAIL E
SCALE 2 : 5



COBURN SLIDING SYSTEMS LIMITED
Unit 1, Cardinal way, Cardinal west,
Godmanchester, PE29 2XN, UK
TEL: +44 (0)20 8545 6680
FAX: +44 (0)20 8545 6720
E-Mail: sales@coburn.co.uk
Web: www.coburn.co.uk

© COPYRIGHT COBURN SLIDING SYSTEMS LIMITED

THE INFORMATION CONTAINED IN THIS DRAWING IS THE
SOLE PROPERTY OF <COBURN SLIDING SYSTEMS LIMITED>. ANY
REPRODUCTION IN PART OR AS A WHOLE WITHOUT THE WRITTEN
PERMISSION OF <COBURN SLIDING SYSTEMS LIMITED> IS PROHIBITED.

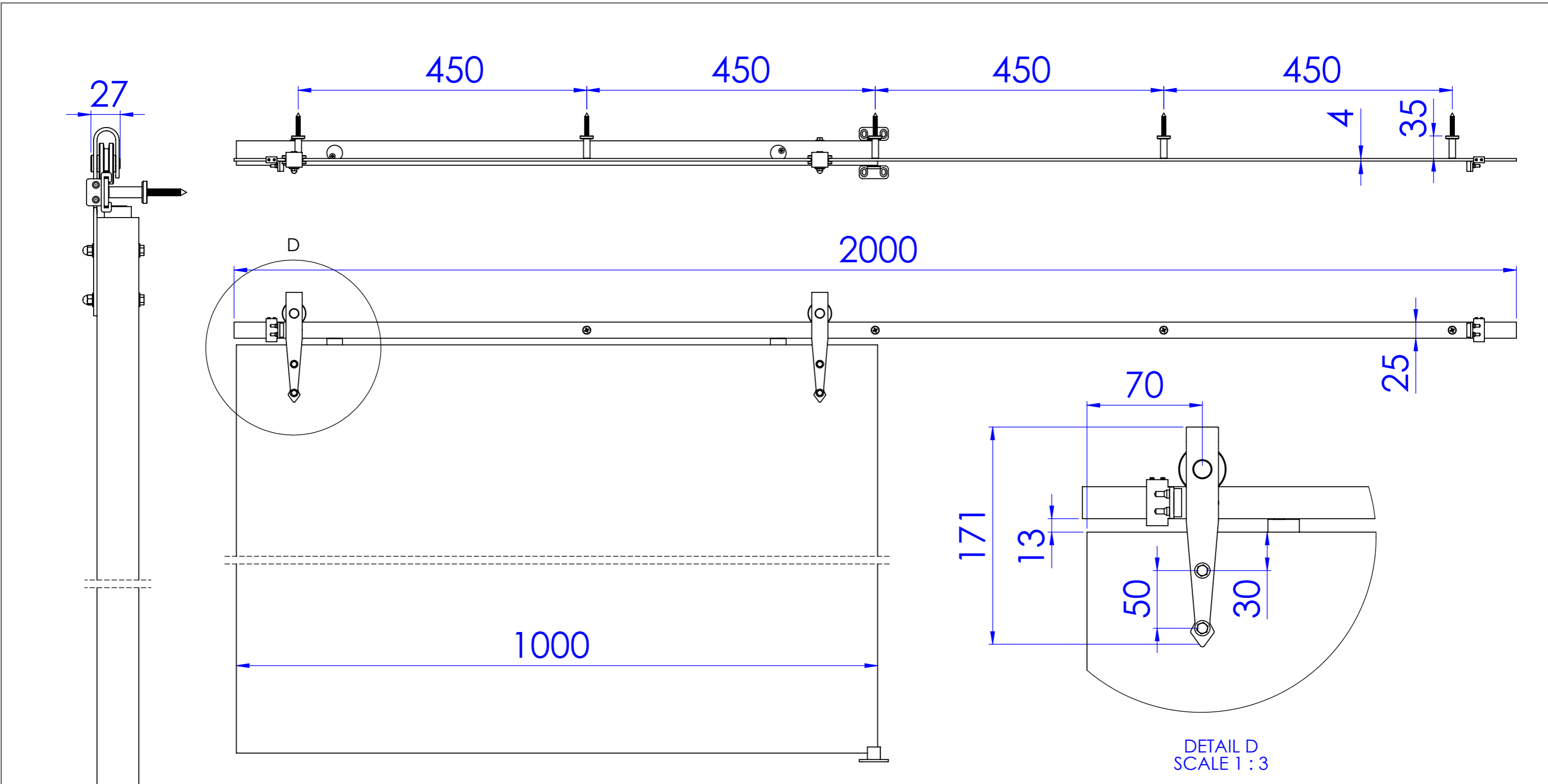
MATERIAL
Carbon Steel

FINISH
Black Powder Coating

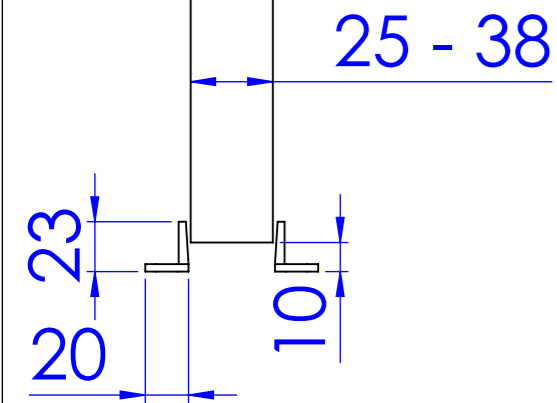
UNLESS OTHERWISE SPECIFIED:
DIMENSION(mm) TOLERANCE
ZERO PL DECIMAL ±0.2
ONE PL DECIMAL ±0.1
TWO PL DECIMAL ±0.05
ANGULAR TOLERANCE ±0.5°
FORGING TOLERANCE SEE BS 4114
ALL EDGES WILL BE ROUNDED WITH 0.2mm
COMMENTS:
IF IN DOUBT ASK!

DRAWN S.B	DATE 05/03/2020
CHECKED M.S	DATE 05/03/2020
DIMENSIONS ARE IN mm DO NOT SCALE DRAWING	

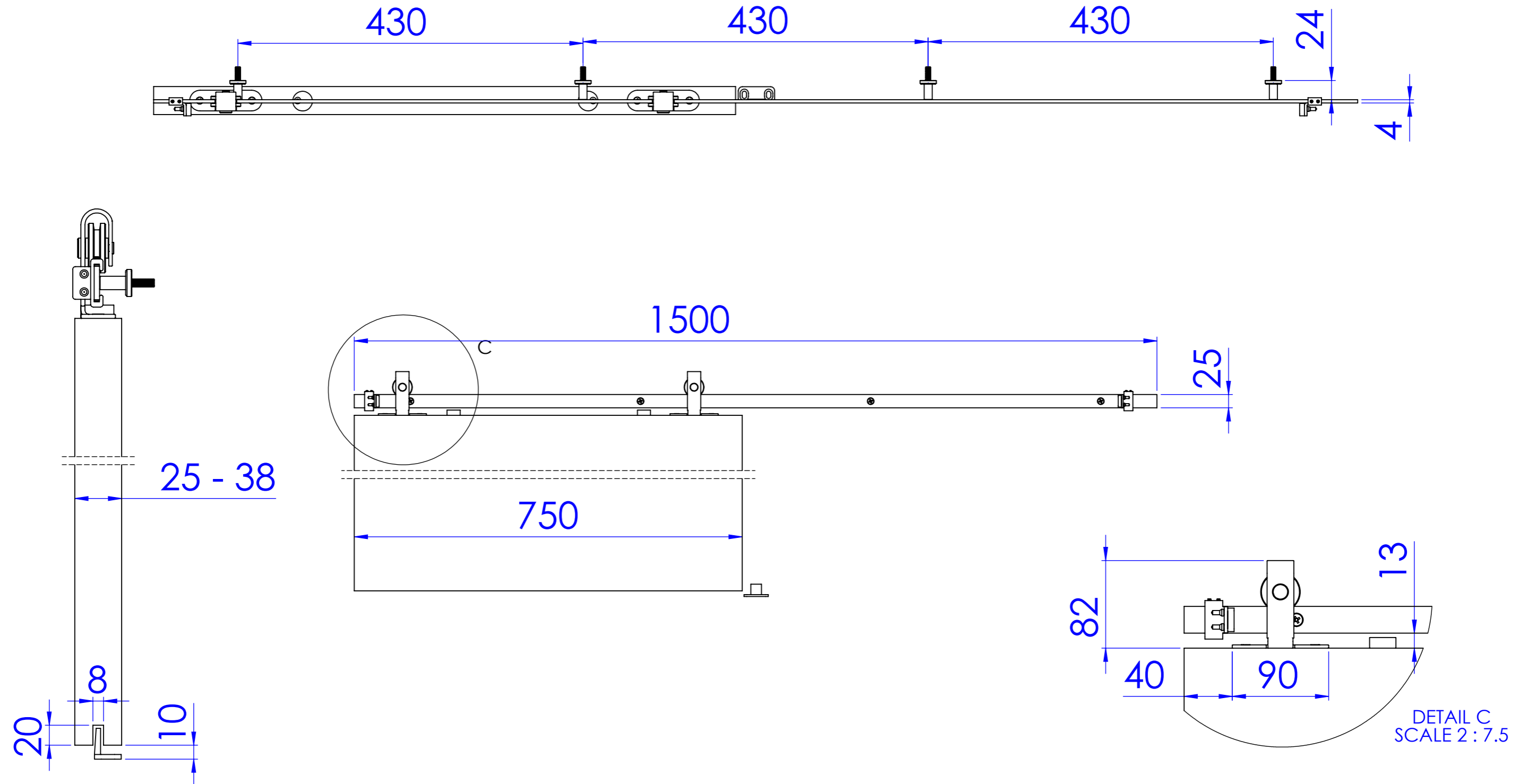
FILE DRG. No.		
TITLE: Flat Track Mini Arrowhead Hanger 1.5m Kit		
SIZE A4	DRG/PART. No. 41153	REV 01
SCALE: 2:1	WEIGHT:	SHEET: 1/1



DETAIL D
SCALE 1 : 3

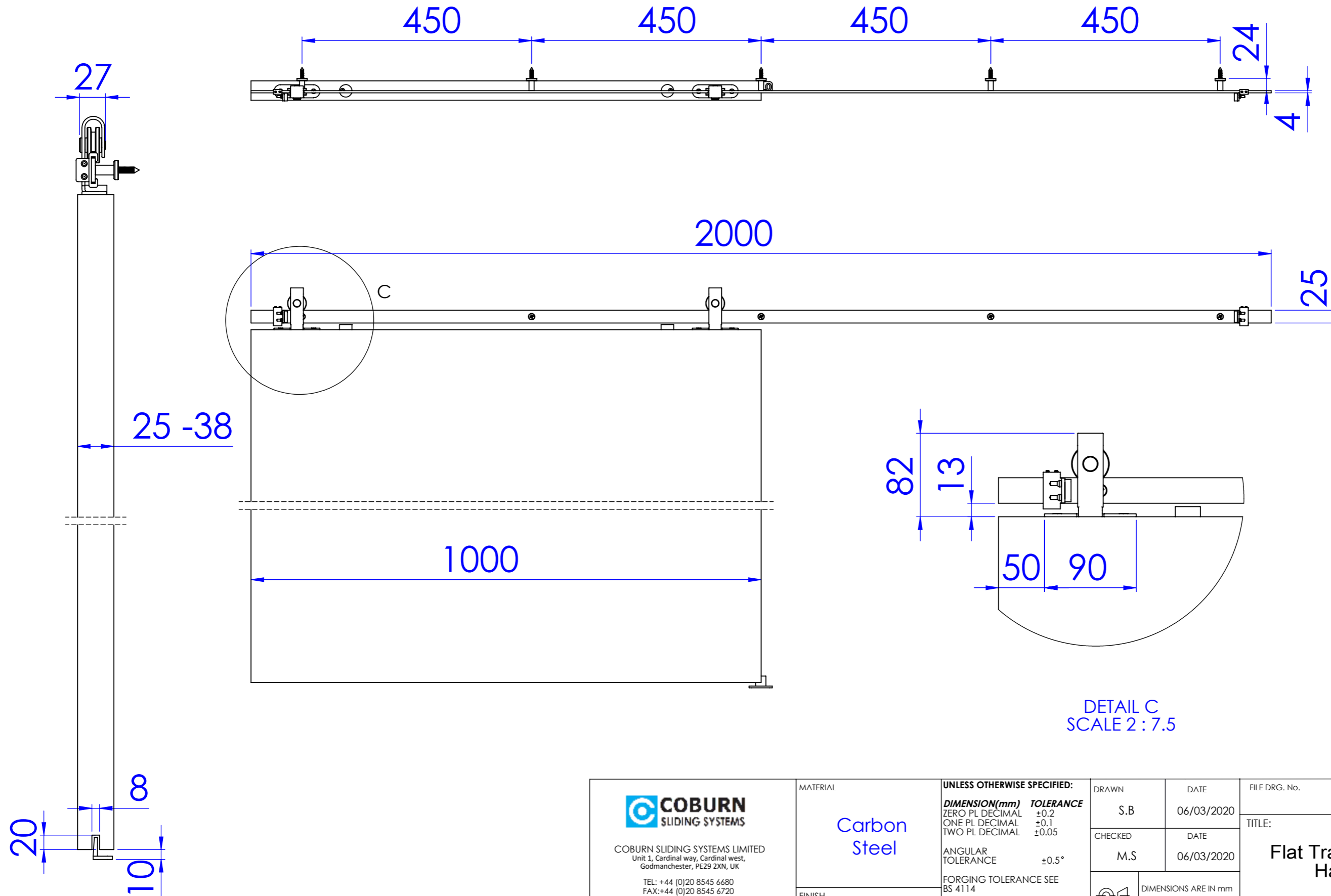


<p>COBURN SLIDING SYSTEMS LIMITED Unit 1, Cardinal way, Cardinal west, Godmanchester, PE29 2XN, UK</p> <p>TEL: +44 (0)20 8545 6680 FAX: +44 (0)20 8545 6720 E-Mail: sales@coburn.co.uk Web: www.coburn.co.uk</p> <p>© COPYRIGHT COBURN SLIDING SYSTEMS LIMITED</p> <p><small>THE INFORMATION CONTAINED IN THIS DRAWING IS THE SOLE PROPERTY OF <COBURN SLIDING SYSTEMS LIMITED>. ANY REPRODUCTION IN PART OR AS A WHOLE WITHOUT THE WRITTEN PERMISSION OF <COBURN SLIDING SYSTEMS LIMITED> IS PROHIBITED.</small></p>	<p>MATERIAL</p> <p>Carbon Steel</p>	<p>UNLESS OTHERWISE SPECIFIED:</p> <p>DIMENSION(mm) TOLERANCE</p> <p>ZERO PL DECIMAL ±0.2 ONE PL DECIMAL ±0.1 TWO PL DECIMAL ±0.05</p> <p>ANGULAR TOLERANCE ±0.5°</p> <p>FORGING TOLERANCE SEE BS 4114</p> <p>ALL EDGES WILL BE ROUNDED WITH 0.2mm</p> <p>COMMENTS:</p> <p>IF IN DOUBT ASK!</p>	<p>DRAWN</p> <p>S.B</p>	<p>DATE</p> <p>06/03/2020</p>	<p>FILE DRG. No.</p>
	<p>FINISH</p> <p>Black Powder Coating</p>	<p>CHECKED</p> <p>M.S</p>	<p>DATE</p> <p>06/03/2020</p>	<p>TITLE:</p> <p>Flat Track Mini Arrowhead Hanger 2.0m Kit</p>	
			<p>⊕</p> <p>DIMENSIONS ARE IN mm DO NOT SCALE DRAWING</p>	<p>SIZE</p> <p>A4</p>	<p>DRG/PART. No.</p> <p>41154</p>
					<p>REV</p> <p>01</p>
			<p>SCALE: 2:1</p>	<p>WEIGHT:</p>	<p>SHEET: 1/1</p>



DETAIL C
SCALE 2 : 7.5

<p>COBURN SLIDING SYSTEMS LIMITED Unit 1, Cardinal way, Cardinal west, Godmanchester, PE29 2XN, UK</p> <p>TEL: +44 (0)20 8545 6680 FAX: +44 (0)20 8545 6720 E-Mail: sales@coburn.co.uk Web: www.coburn.co.uk</p> <p>© COPYRIGHT COBURN SLIDING SYSTEMS LIMITED</p> <p><small>THE INFORMATION CONTAINED IN THIS DRAWING IS THE SOLE PROPERTY OF <COBURN SLIDING SYSTEMS LIMITED>. ANY REPRODUCTION IN PART OR AS A WHOLE WITHOUT THE WRITTEN PERMISSION OF <COBURN SLIDING SYSTEMS LIMITED> IS PROHIBITED.</small></p>	MATERIAL	<p>UNLESS OTHERWISE SPECIFIED:</p> <p>DIMENSION(mm) TOLERANCE</p> <p>ZERO PL DECIMAL ±0.2</p> <p>ONE PL DECIMAL ±0.1</p> <p>TWO PL DECIMAL ±0.05</p> <p>ANGULAR TOLERANCE ±0.5°</p> <p>FORGING TOLERANCE SEE BS 4114</p> <p>ALL EDGES WILL BE ROUNDED WITH 0.2mm</p> <p>COMMENTS:</p> <p style="text-align: center;">IF IN DOUBT ASK!</p>	DRAWN	DATE	FILE DRG. No.	
	Carbon Steel		A.P	13/04/2023	TITLE:	
	FINISH		CHECKED	DATE	Flat Track Mini Top Mount Hanger 1.5m Kit	
			M.S	13/04/2023		
Black Powder Coating	DIMENSIONS ARE IN mm DO NOT SCALE DRAWING		SIZE	DRG/PART. No.	REV	
			A4	41155	02	
			SCALE: 2:1	WEIGHT:	SHEET: 1/1	



DETAIL C
SCALE 2 : 7.5

<p>COBURN SLIDING SYSTEMS LIMITED Unit 1, Cardinal way, Cardinal west, Godmanchester, PE29 2XN, UK</p> <p>TEL: +44 (0)20 8545 6680 FAX: +44 (0)20 8545 6720 E-Mail: sales@coburn.co.uk Web: www.coburn.co.uk</p> <p>© COPYRIGHT COBURN SLIDING SYSTEMS LIMITED</p> <p><small>THE INFORMATION CONTAINED IN THIS DRAWING IS THE SOLE PROPERTY OF <COBURN SLIDING SYSTEMS LIMITED>. ANY REPRODUCTION IN PART OR AS A WHOLE WITHOUT THE WRITTEN PERMISSION OF <COBURN SLIDING SYSTEMS LIMITED> IS PROHIBITED.</small></p>	<p>MATERIAL</p> <p>Carbon Steel</p>	<p>UNLESS OTHERWISE SPECIFIED:</p> <p>DIMENSION(mm) TOLERANCE ZERO PL DECIMAL ±0.2 ONE PL DECIMAL ±0.1 TWO PL DECIMAL ±0.05</p> <p>ANGULAR TOLERANCE ±0.5°</p> <p>FORGING TOLERANCE SEE BS 4114</p> <p>ALL EDGES WILL BE ROUNDED WITH 0.2mm</p> <p>COMMENTS: IF IN DOUBT ASK!</p>	<p>DRAWN</p> <p>S.B</p>	<p>DATE</p> <p>06/03/2020</p>	<p>FILE DRG. No.</p>	
	<p>FINISH</p> <p>Black Powder Coating</p>	<p>CHECKED</p> <p>M.S</p>	<p>DATE</p> <p>06/03/2020</p>	<p>TITLE:</p> <p>Flat Track Mini Top Mount Hanger 2.0m Kit</p>		
			<p>⊕</p> <p>DIMENSIONS ARE IN mm DO NOT SCALE DRAWING</p>	<p>SIZE</p> <p>A4</p>	<p>DRG/PART. No.</p> <p>41156</p>	<p>REV</p> <p>01</p>
			<p>SCALE: 2:1</p>	<p>WEIGHT:</p>	<p>SHEET: 1/1</p>	