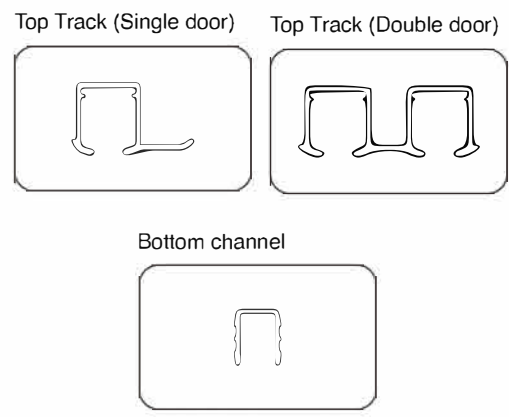


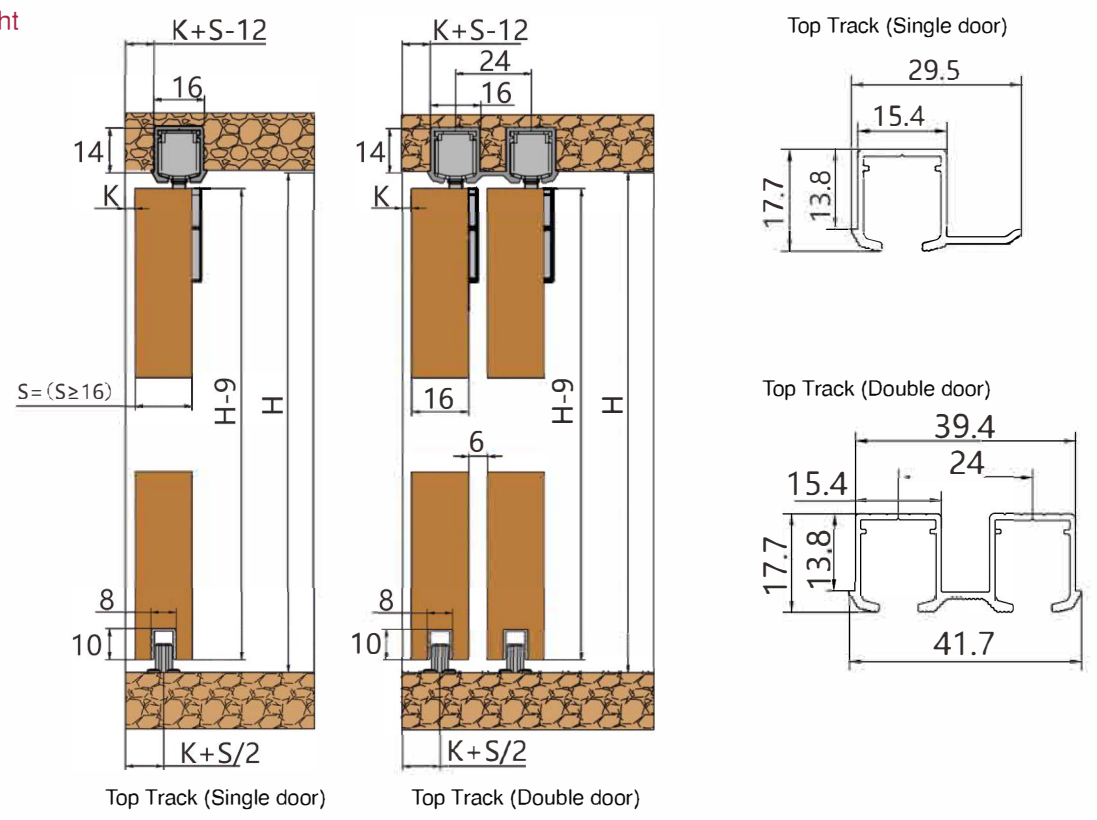
Cabinet sliding system (Wooden doors)

Accessories	Qty	Accessories	Qty	Accessories	Qty
Wooden door plate	2	Stopper	2	Wooden door damper	2
Guide	1	2mm allen key	1	ST4*16 cross countersunk head tapping screws	8

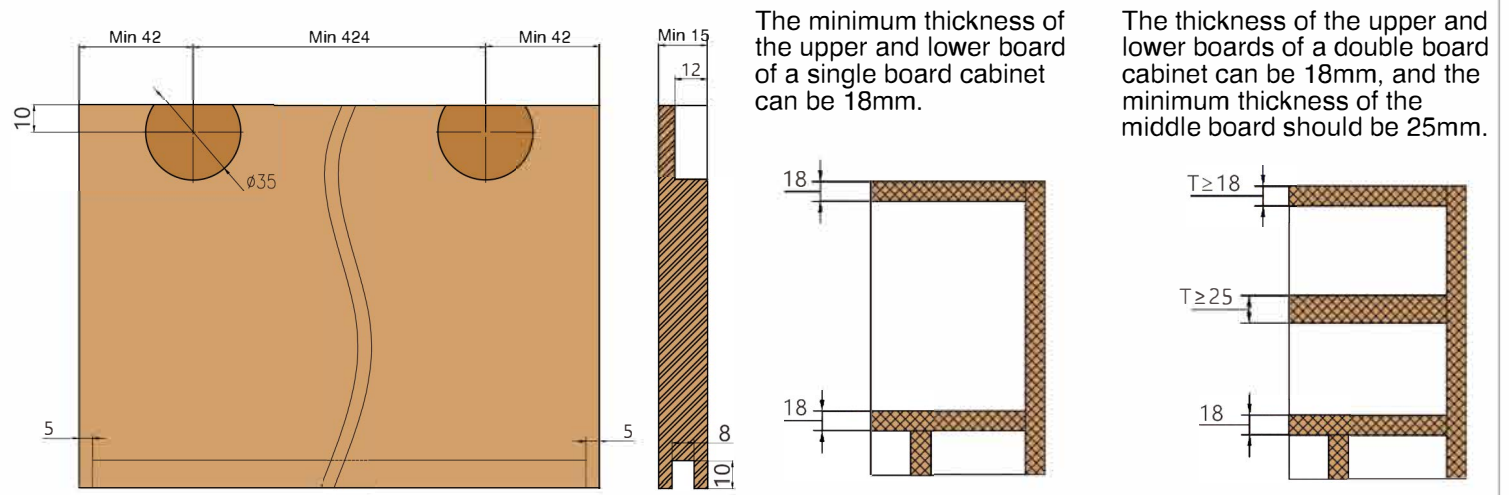


1. Cabinet size

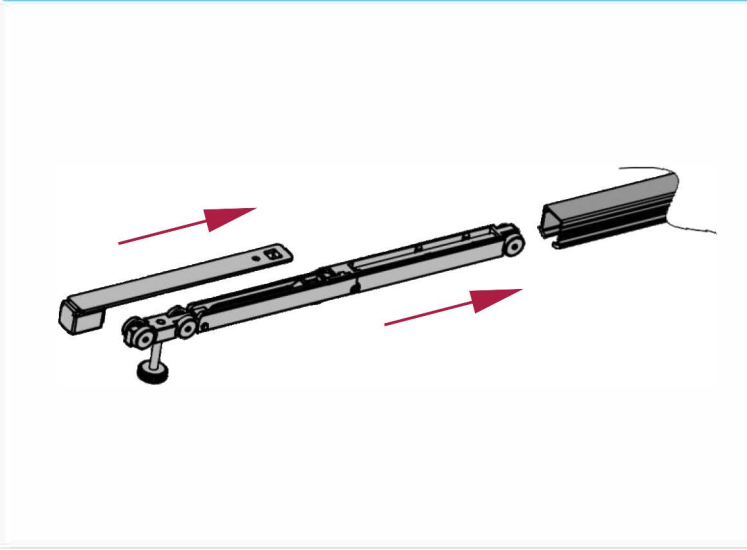
- Installation parameters:
- Maximum door weight 15kg
 - Minimum door width 520mm
 - Door thickness 16mm - 19mm



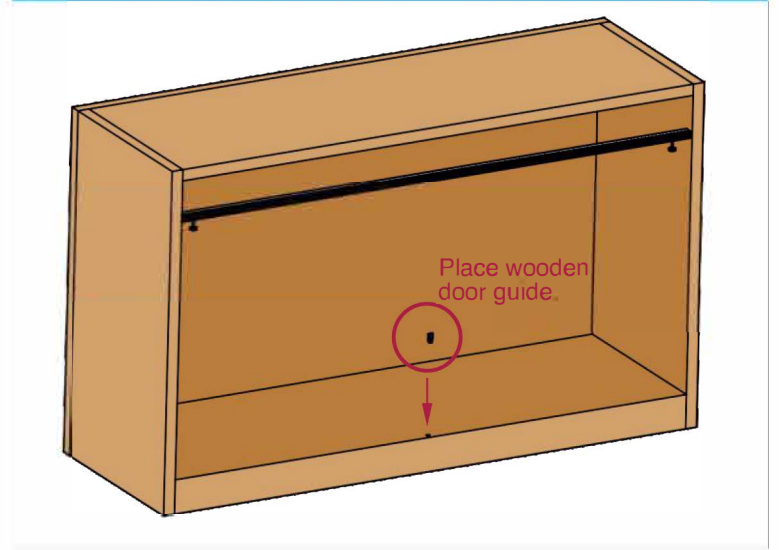
2. Door preparation



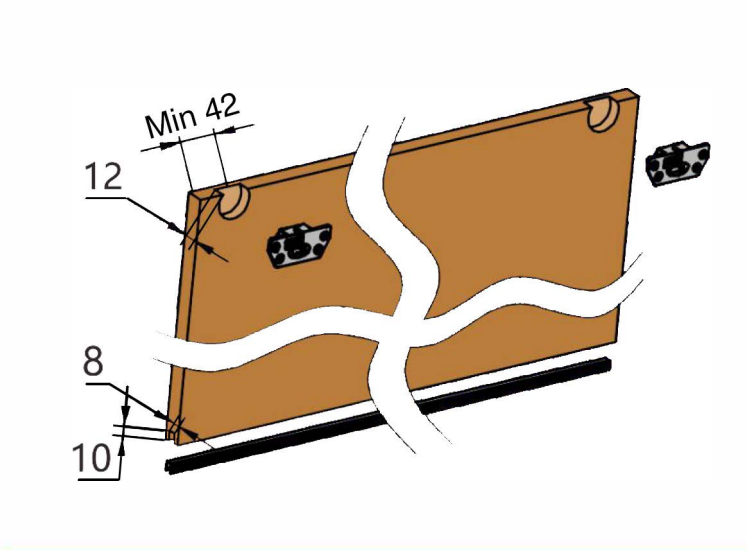
3. Insert stopper and hanger assembly into track



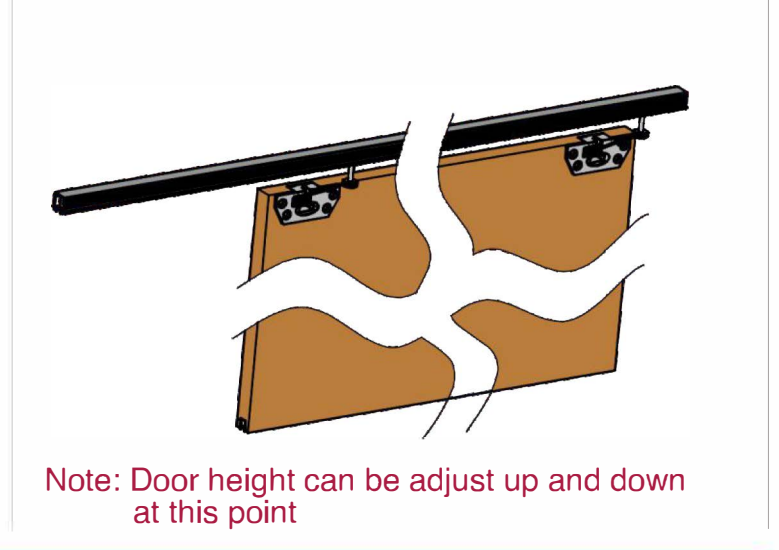
4. Install top track and guide



5. Drill holes on the door, install door plates and bottom channel



6. Install the door (Hang the pendent bolt into the door plates)



7. Adjust stopper to let the damper run completely and then close the door

