

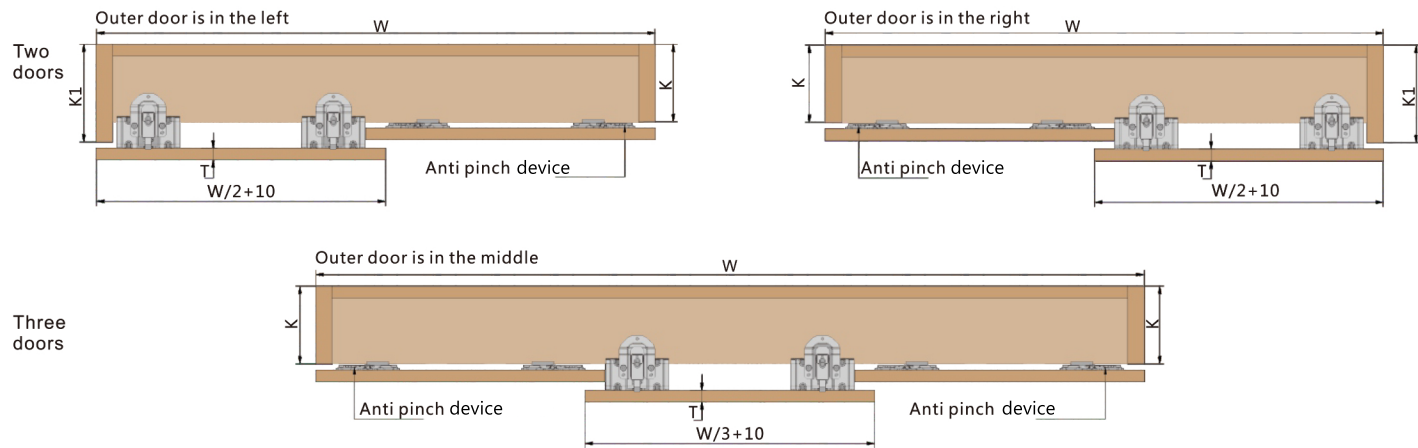
# TOPSLIDE 50 - Fitting Instructions

Part no. 06427.08

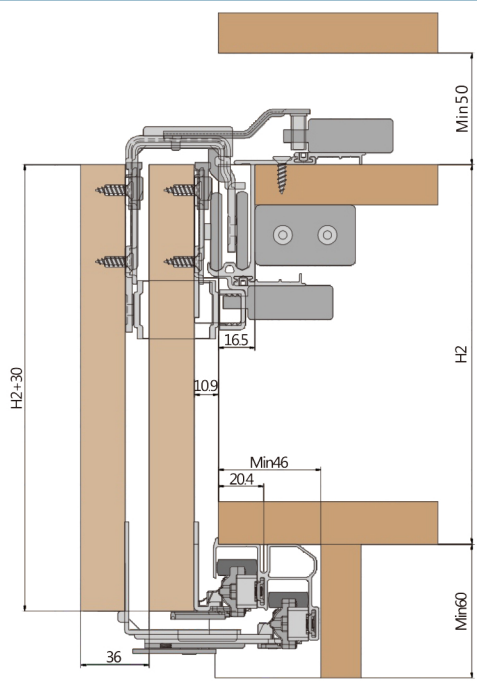
Accessories	QTY		Accessories	QTY		Accessories	QTY	
	2 doors double soft close	3 doors double soft close		2 doors double soft close	3 doors double soft close		2 doors double soft close	3 doors double soft close
Top hanger for outer door (without actuator)	0	0	Top hanger for outer door (with actuator)	2	2	Left top damper	2	2
Left top hanger for inner door	1	2	Right top hanger for inner door	1	2	Right top damper	2	2
Bottom guide for outer door	2	2	Bottom guide for inner door	2	4	Bottom damper	4	4
Anti pinch device	1	2	Stopper for outer door	0	0	Position template	1	1
Plastic supporter	2	4	Fixing bracket	2	2	ST4x16mm Cross recessed countersunk head tapping screw	40	60

## 1. Calculation of cabinet size $K1=K+36$ ( $T=$ Thickness of door $18 \leq T \leq 25$ )

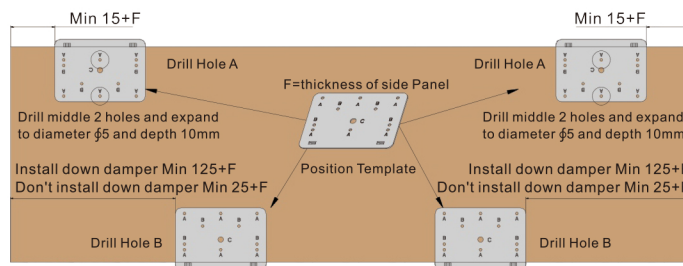
Width of door depends on the actual shape of door



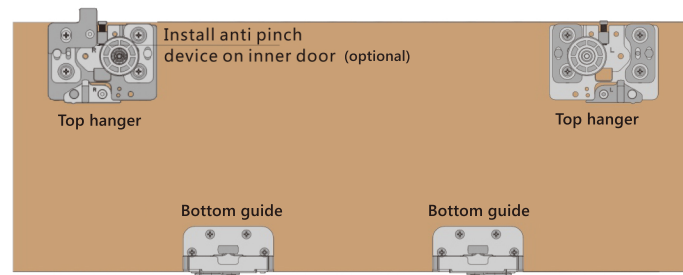
## 2. Installation dimension



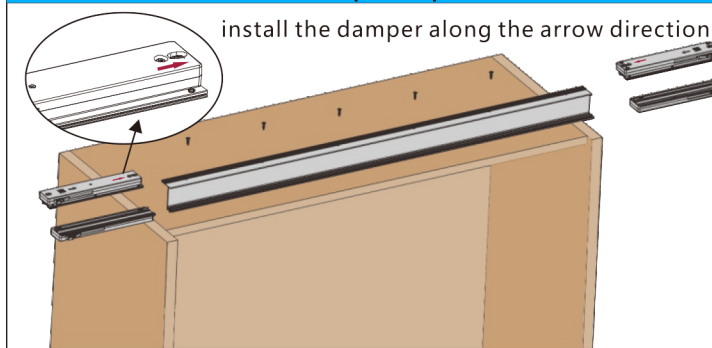
## 3. Locate hole position using the template and drill the required holes



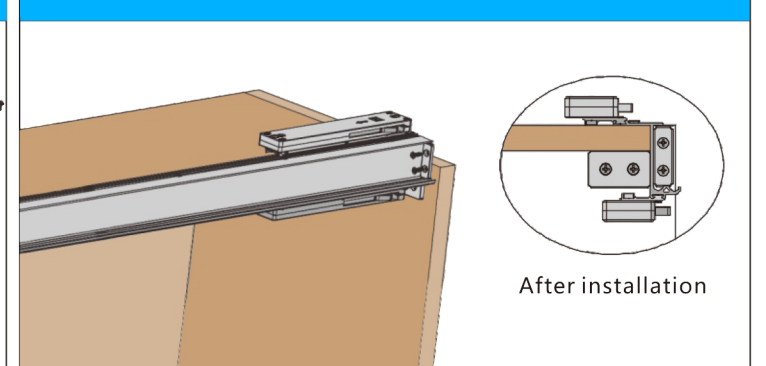
## 4. Fix the correct accessories on to the doors



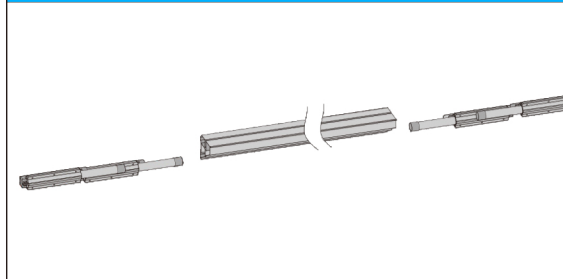
## 5. Fix the top track with screws and insert and secure the top dampers



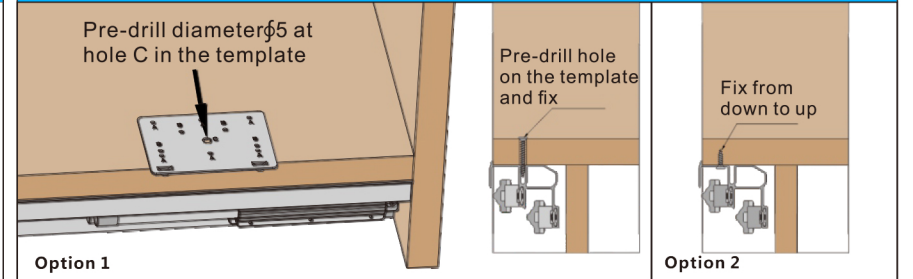
## 6. Install the plastic supporter and anti jump fixing bracket



## 7. Install the bottom dampers in the bottom track

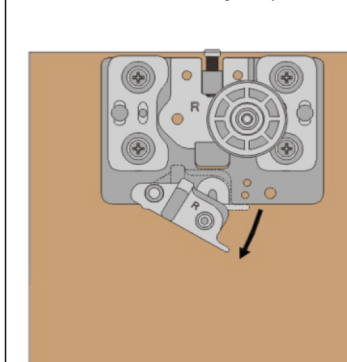


## 8. Fix the bottom track

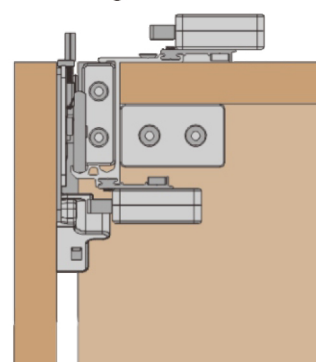


## 9. Inner door Installation

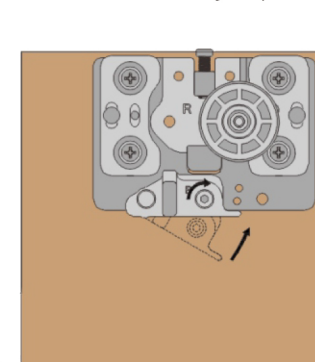
### 9.1 Pull out the anti jump device



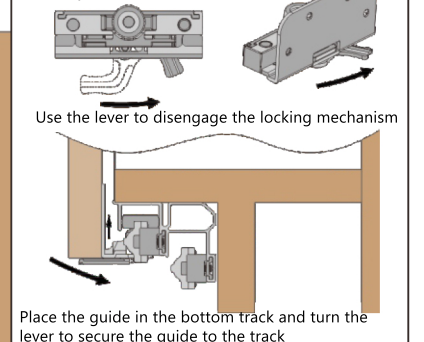
### 9.2 Hang the inner door



### 9.3 Lock the anti jump device

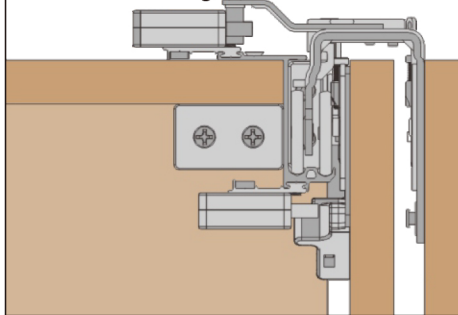


### 9.4 Lock the bottom guide in place

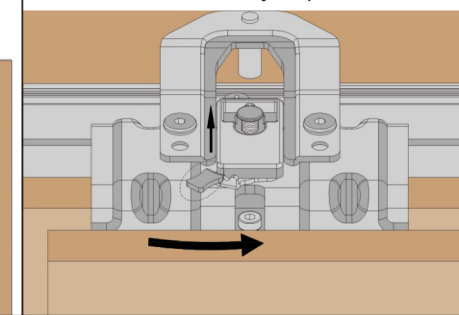


## 10. Outer door installation

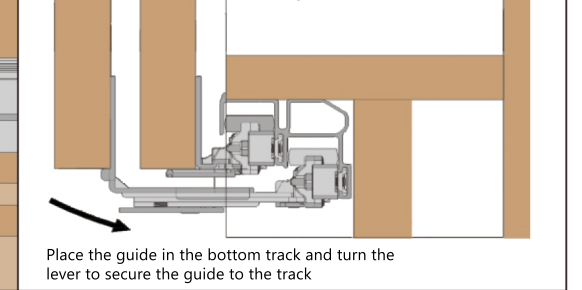
### 10.1 Hang the outer door



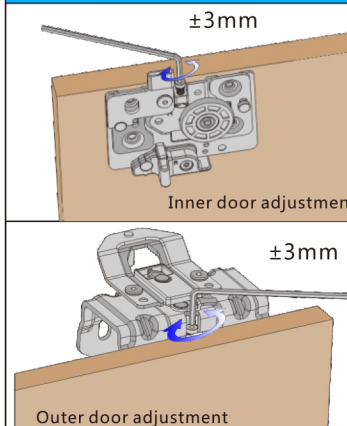
### 10.2 Lock anti jump device



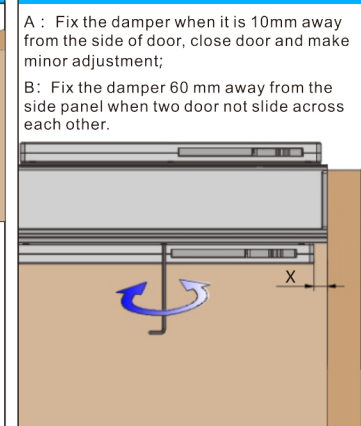
### 10.3 Lock the bottom guide



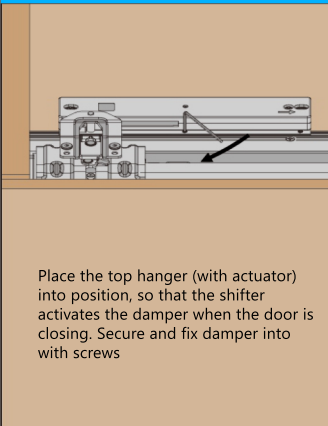
## 11. Adjustment of Inner and outer door



## 12. Fix the inner door damper



## 13. Fix outer door damper



## 14. Fix bottom damper

