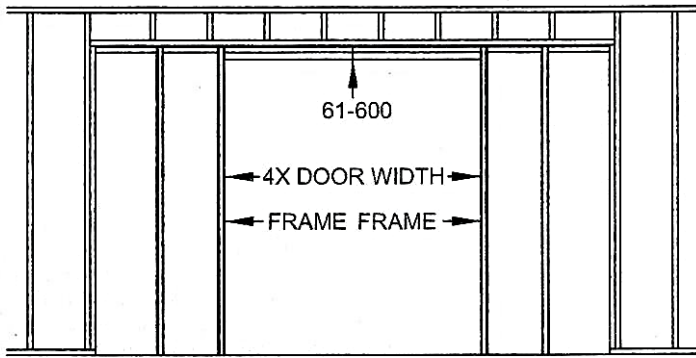
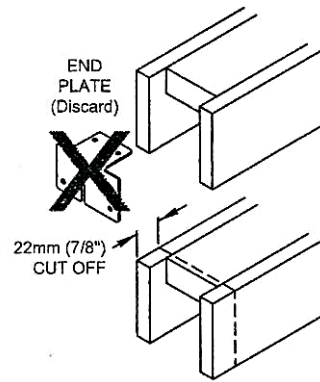


HIDEAWAY 61600 - JOINTING KIT



ROUGH OPENING WIDTH IS FOUR TIMES DOOR WIDTH



- Remove and discard end plates from "door opening" end of each header.
- Cut 22mm (7/8") from length of each header (wood part only) where discarded end plates had been located. Cut ends square to keep header straight when joined.

Hillaldam Coburn Ltd. Unit 16 Merton Industrial Park Lee Road London SW193HX UK Phone (44) 020 8545 6680 Fax (44) 020 8545 6720

