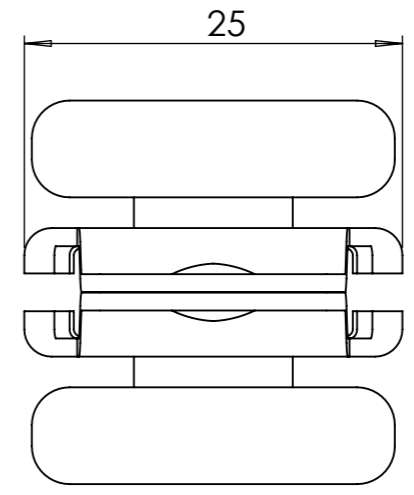
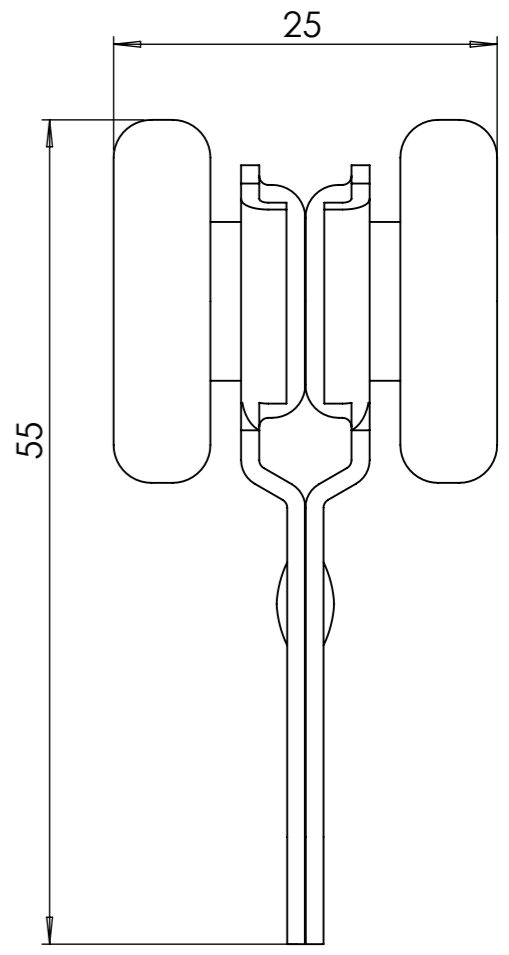
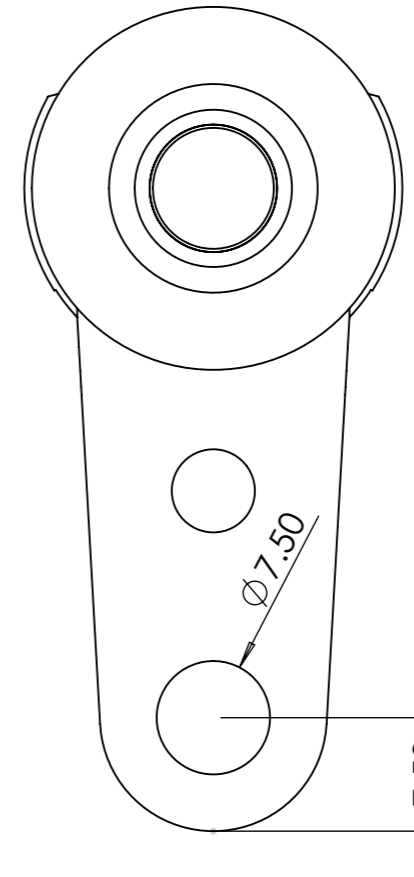
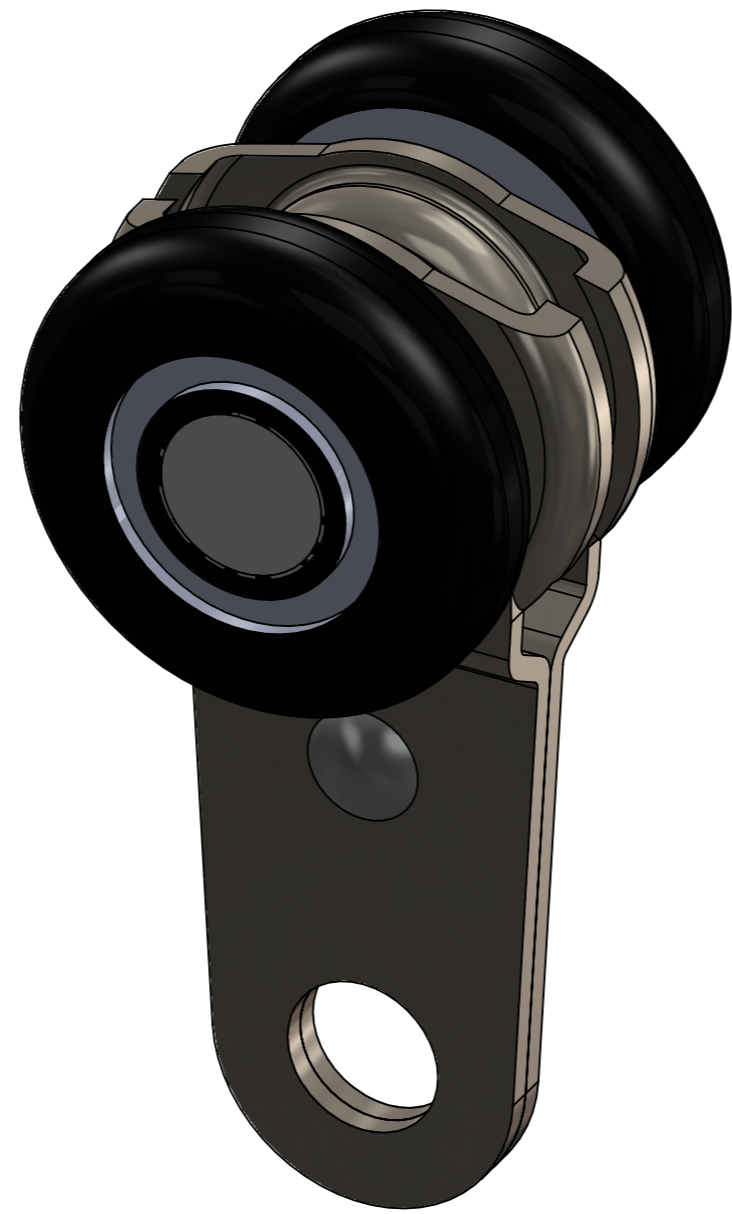


1



ITEM NO.	PART NUMBER	DESCRIPTION	QTY.
1	01200.62	Straightaway 100 - Hanger Assembly - Rev.02	2
2	09680.01	INSTALLATION & MAINTENANCE PROCEDURES - Rev.03	1
3	10112.01	INSTALATION INSTRUCTIONS	1

COBURN SLIDING SYSTEMS LIMITED Unit 1, Cardinal west, Godmanchester, PE29 2XN United Kingdom TEL: +44 (0)20 8545 6680 FAX: +44 (0)20 8545 6720 E-Mail: sales@coburn.co.uk Web: www.coburn.co.uk	UNLESS OTHERWISE SPECIFIED: DIMENSION(mm) TOLERANCE ZERO PL DECIMAL ±0.2 ONE PL DECIMAL ±0.1 TWO PL DECIMAL ±0.05 ANGULAR TOLERANCE ±0.5° FORGING TOLERANCE SEE BS EN 10243 ALL EDGES WILL BE ROUNDED WITH 0.2mm COMMENTS: IF IN DOUBT ASK!	MATERIAL	DRAWN by: Adrian BOGDAN	DRAWING TYPE Final part drawing	
		FINISH	CHECKED by:	TITLE: 2 WHEEL METAL BODY HANGER	
<small>© COPYRIGHT COBURN SLIDING SYSTEMS LIMITED THE INFORMATION CONTAINED IN THIS DRAWING IS THE SOLE PROPERTY OF <COBURN SLIDING SYSTEMS LIMITED>. ANY REPRODUCTION IN PART OR AS A WHOLE WITHOUT THE WRITTEN PERMISSION OF <COBURN SLIDING SYSTEMS LIMITED> IS PROHIBITED.</small>	FIRST ANGLE PROJECTION	SIZE A3	DWG NO. 01286	REV. 08	SCALE: 3:1 WEIGHT: SHEET 1 / 1

Revision	Modification
07	1-Drawing remade