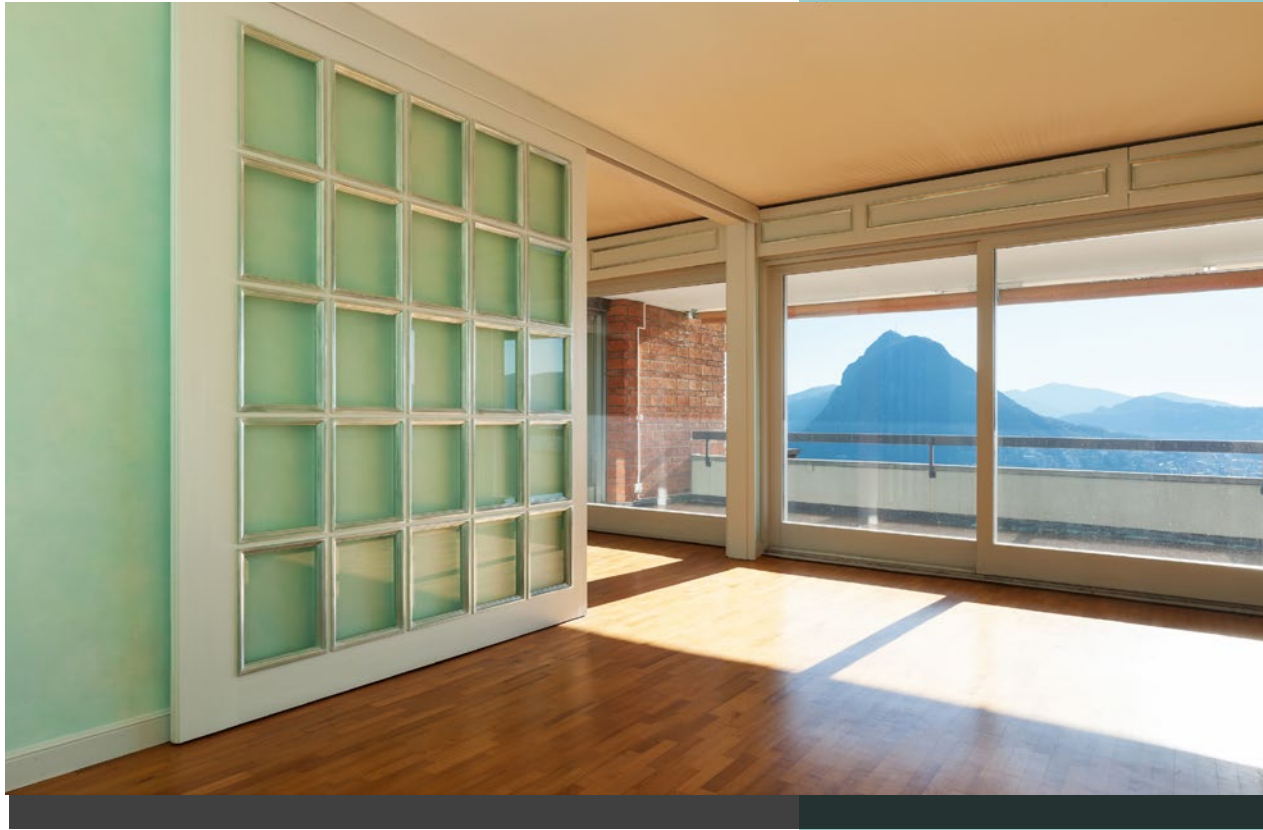




Soft Closer for ST180 / ST250 Sliding & Folding Door Systems



Product Overview

Coburn Straightaway sliding series is a sophisticated and versatile top hung systems designed for sliding doors up to 250kg. With the addition of soft closers in the range, the systems can easily accommodate large sliding doors in a variety of architectural openings with the door opening and closing softly. An ideal approach to stop heavy duty doors without any risk.

The soft closer mechanism including the actuator are mounted within the track, which provides space on top of the door to fit other accessories such as the Microline (low headroom), and Telescopic.

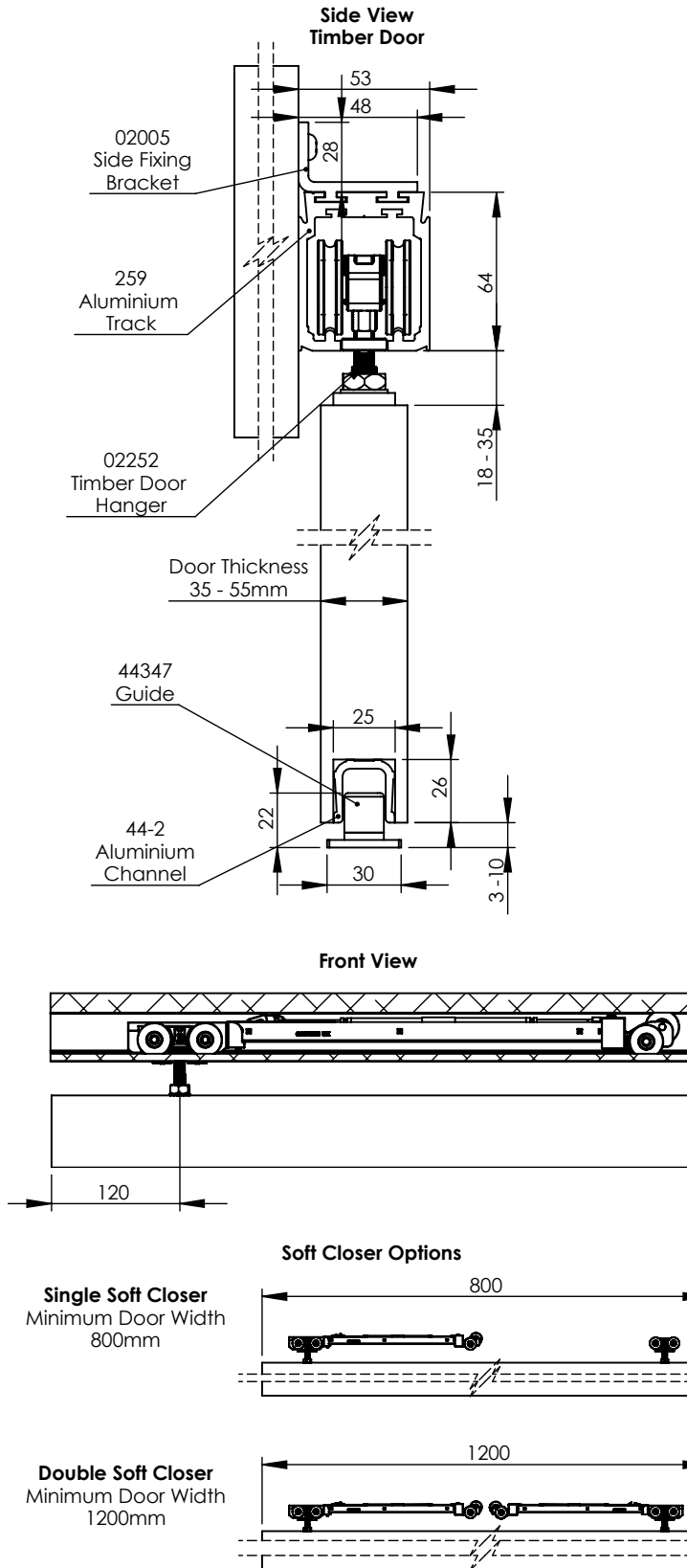
Hardware Specifications

- Tracks can be ceiling mounted or face fixed
- No recessed floor tracks required
- Hangers manufactured with zinc cast solid bodies and delrin nylon outer wheels complete with precision ball bearings to ensure smooth and silent operation
- Variable height adjustment on doors
- Fittings available for timber, aluminium or metal doors
- Soft closers can be used with eternal 180 / 250

Door Specification

- Maximum Door Weight: 180kg / 250kg
- Door Thickness: 35 - 55mm
- Maximum Door Height: 4000mm
- Track Dimensions for 25-9 track (soft closer) 53mm (w) x 64mm (h)





Article No.	Finish / Size	Track
25924	Anodised Aluminium, 2400mm	
25930	Anodised Aluminium, 3000mm	
25936	Anodised Aluminium, 3600mm	
25960	Anodised Aluminium, 6000mm	
Article No.	Description	Image
01813	180 Hanger with concealed apron plate for timber doors (pair)	
02265	250 Hanger with concealed apron plate for timber doors (pair)	
30638	Soft Closer 180kg (concealed in the track)	
30641	Soft Closer 250kg (concealed in the track)	
44347	Concealed floor guide (timber doors)	
02718	Track stop, (pair)	
02005	Face fixed bracket set (5 pieces)	
97741	Microline	
97791 97792	Telescopic 2 Door Telescopic 3 Door	



For further information on our products and services:
Tel: + 44 (0)20 8545 6680, sales@coburn.co.uk, www.coburn.co.uk

Coburn Sliding Systems Ltd.
Unit 1, Cardinal West, Cardinal Way, Cardinal Distribution Park.
Godmanchester, Huntingdon, Cambridgeshire, PE29 2XN United Kingdom.

Dealer Stamp