

6 5 4 3 2 1

D

D

C

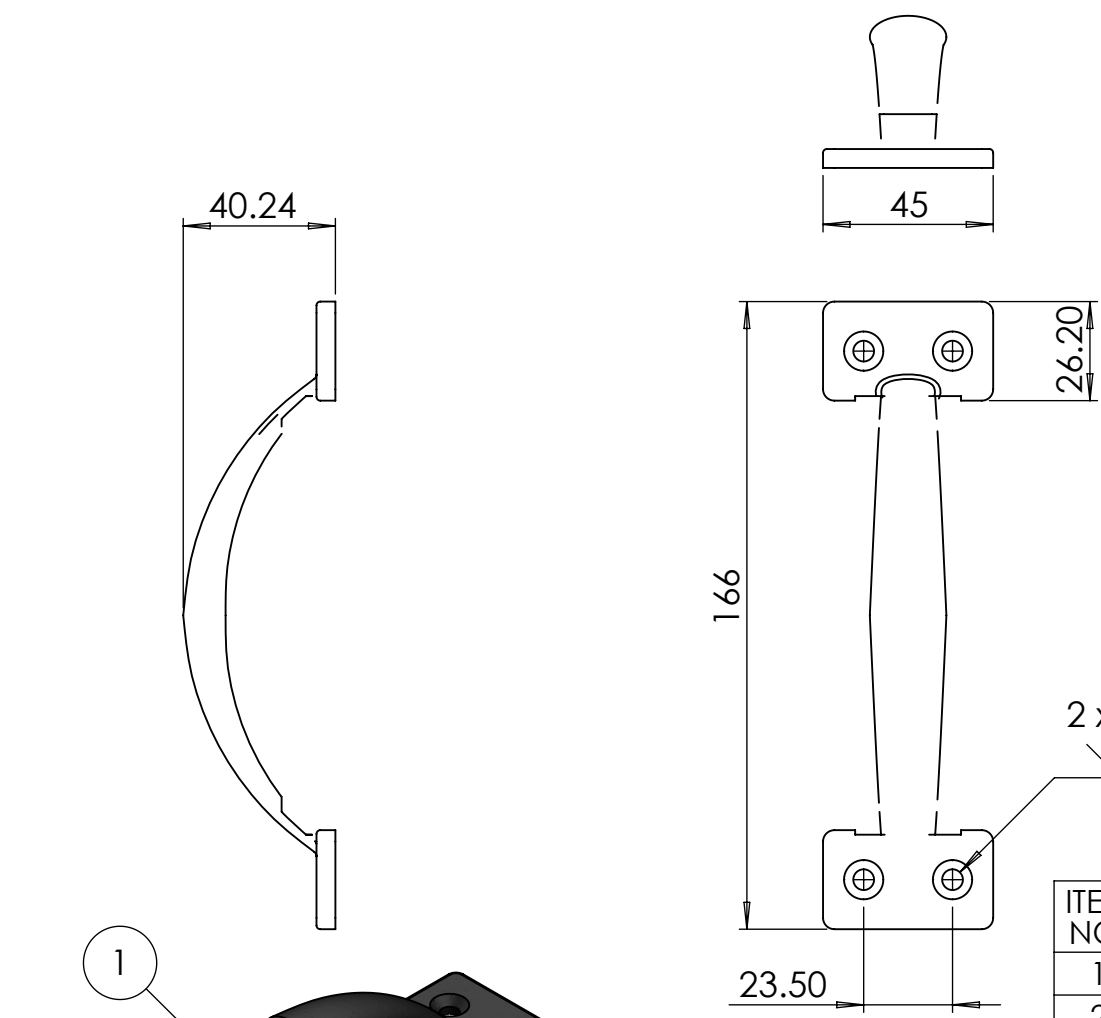
C

B

B

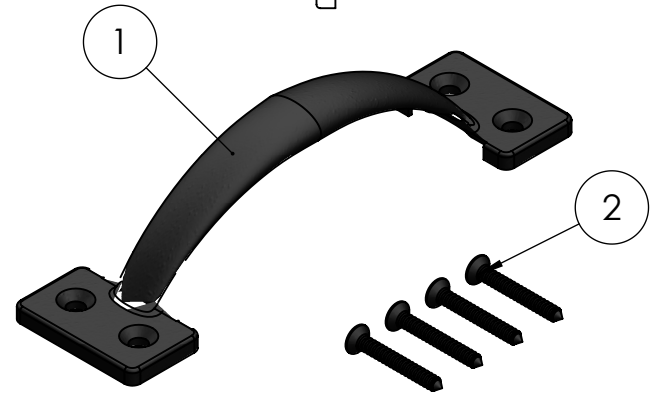
A

A



2 x Ø 5.50 THRU ALL
 ✓ Ø 10.40 X 90°

ITEM NO.	PART NUMBER	DESCRIPTION	QTY.
1		Bow handle - Black finish	1
2		Countersunk wood screw, 4.2 x 30mm	4



COBURN SLIDING SYSTEMS LIMITED

Unit 1, Cardinal west,
 Godmanchester, PE29 2XN
 United Kingdom

TEL: +44 (0)20 8545 6680
 FAX: +44 (0)20 8545 6720
 E-Mail: sales@coburn.co.uk
 Web: www.coburn.co.uk

© COPYRIGHT COBURN SLIDING SYSTEMS LIMITED
 THE INFORMATION CONTAINED IN THIS DRAWING IS THE
 SOLE PROPERTY OF <COBURN SLIDING SYSTEMS LIMITED>. ANY
 REPRODUCTION IN PART OR AS A WHOLE WITHOUT THE WRITTEN
 PERMISSION OF <COBURN SLIDING SYSTEMS LIMITED> IS PROHIBITED.

UNLESS OTHERWISE SPECIFIED:

DIMENSION(mm) TOLERANCE
 ZERO PL DECIMAL ±0.2
 ONE PL DECIMAL ±0.1
 TWO PL DECIMAL ±0.05

ANGULAR TOLERANCE ±0.5°
 FORGING TOLERANCE SEE BS 4114

ALL EDGES WILL BE ROUNDED WITH 0.2mm

MATERIAL

Steel

FINISH

Black Painted



FIRST ANGLE PROJECTION

DRAWN by:
 Adrian BOGDAN

DATE:
 27/03/2017

CHECKED by:
 -

DATE:
 -

SIZE

A4

DRAWING TYPE

Final part drawing

TITLE:

160mm
 Bow Handle

DWG NO.

41033

REV.

01

COMMENTS: IF IN DOUBT ASK!

SCALE: 1:3

WEIGHT:

SHEET 1 / 1

6 5 4 3 2 1